

**SERIES**



Images may not be representative of the Australian production model.

## Specification Guide

# NQR 88/80-190

# NQR 88/80-190 CREW

### Weight Ratings

GVM	8,800 kg / 8,000 kg
GCM <sup>1</sup>	12,300 kg

### Engine

Power	140 kW @ 2,600 rpm
Torque	513 Nm @ 1,600 - 2,600 rpm

### Transmissions

6-speed manual transmission (MT)
6-speed automated manual transmission (AM)

### Wheelbase

3,365 mm
3,815 mm
4,175 mm
4,475 mm

### Key Features

- ADR 80/04 (Euro VI) Compliant
- Advanced Emergency Braking (AEB)
- Automatic Lighting System (ALS)
- Bi-LED Headlamps with Daytime Running Lamps (DRL)
- Driver and front passenger airbags
- Driver Suspension Seat (Day Cab)
- ECE-R29 cab with side anti-intrusion beams
- Electric Park Brake (EPB) with Auto Brake Hold
- Electronic Stability Control (ESC)
- Full speed Adaptive Cruise Control (F-ACC) (AM only)
- Lane Departure Warning (LDW)



Scan QR code to search, view and download full spec sheets for all Isuzu truck models.



# Driveline

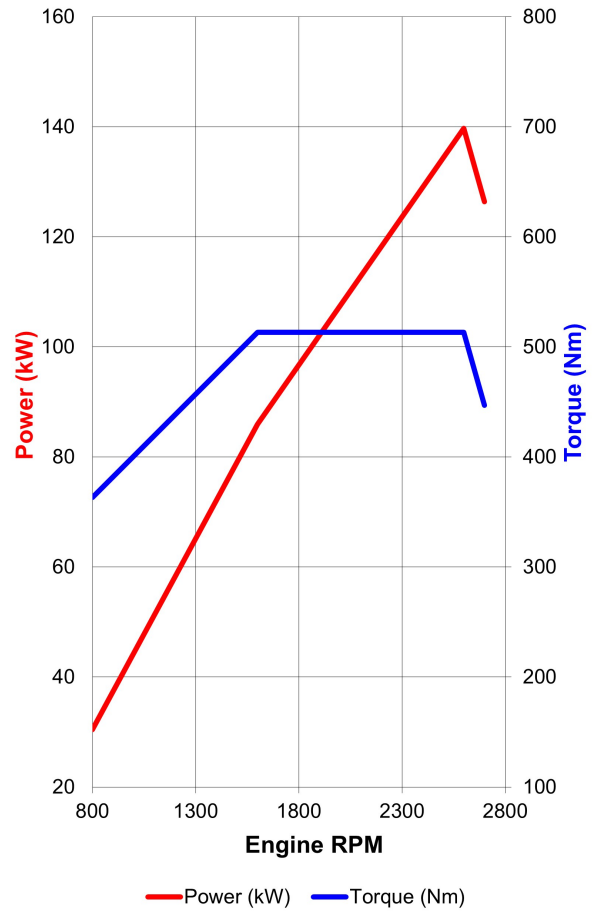
## Engine

<b>Description</b>	Isuzu 4HK1-TCC
<b>Type</b>	4 Cylinder
<b>Power</b>	140 kW (190 PS) @ 2,600 rpm
<b>Torque</b>	513 Nm @ 1,600 - 2,600 rpm
<b>Displacement</b>	5,193 cc
<b>Compression Ratio</b>	17.5:1
<b>Bore x Stroke</b>	115 mm x 125 mm
<b>Induction</b>	Electronically controlled variable nozzle turbocharger with air-to air intercooler
<b>Fuel Injection</b>	Direct injection high pressure common rail
<b>Emission Standard</b>	ADR80/04 (EuroVI-C)
<b>Emission Control</b>	SCR (Selective Catalytic Reduction) DPD (Diesel Particulate Diffuser) EGR (Exhaust Gas Recirculation)
<b>Auxiliary Brake</b>	Vacuum controlled exhaust brake

## Transmission

<b>Description:</b> Isuzu MZZ-6F							
<b>Type:</b> 6-speed Manual (MT). Synchromesh on gears 1-6.							
<b>Ratios:</b>							
<b>MT</b>	1	2	3	4	5	6	REV
	6.36	3.76	1.96	1.35	1.00	0.78	6.36
<b>Power Take Off Facility:</b> Provision on LHS of transmission case. Drive from counter gear.							
<b>Description:</b> Isuzu MZZ-6F							
<b>Type:</b> 6-speed Automated Manual (AM) with both fully automatic and clutchless manual operation modes							
<b>Ratios:</b>							
<b>AM</b>	1	2	3	4	5	6	REV
	6.36	3.76	1.96	1.35	1.00	0.78	6.36
<b>Power Take Off Facility:</b> Provision on LHS of transmission case. Drive from counter gear.							

## 4HK1-TCC 190PS Euro-VI



## Clutch

<b>MT</b>	<b>Type:</b> Single plate with auto adjusting hydraulic control and vacuum assistance
	<b>Clutch Plate Diameter:</b> 325 mm
<b>AM</b>	<b>Type:</b> Fully automated electro/hydraulically controlled wet clutch and fluid coupling with lock up.

## Performance<sup>2</sup> (calculated - typical paved road)

		Geared Speed (top gear at peak power engine rpm)	Low Speed Gradeability (lowest forward gear assuming no wheel slip)	Engine Speed (top gear at 100 km/h)
<b>NQR 88-190 MT</b>	At 8,800 kg GVM	115 km/h @ 2,600 rpm	37%	2,253 rpm
<b>NQR 80-190 MT</b>	At 8,000 kg GVM	115 km/h @ 2,600 rpm	40%	2,253 rpm
<b>NQR 88-190 AM</b>	At 8,800 kg GVM	109 km/h @ 2,600 rpm	39%	2,387 rpm
<b>NQR 80-190 AM</b>	At 8,000 kg GVM	109 km/h @ 2,600 rpm	43%	2,387 rpm

# Technology & Equipment

## Intelligent Safety

	Advanced Emergency Braking (AEB)	
	Anti-lock Braking System (ABS)	
	Anti-Skid Regulator (ASR)	
	Attention Alert System (AAS)	
	Automatic Lighting System (ALS)	
	Cab Tilt Warning (CTW)	
	Cruise Control (CC)	
	Customisable Speed Limiter (CSL)	
	Distance Warning System (DWS)	
	Driver Attention Alert (DAA)	
<b>ACTIVE SAFETY Advanced Driver Assistance Systems (ADAS)</b>	Electric Park Brake (EPB)	
	Electronic Brakeforce Distribution (EBD)	
	Electronic Stability Control (ESC)	
	Forward Collision Warning (FCW)	
	Front Cross Traffic Alert (FCTA)	
	Full Speed Adaptive Cruise Control (F-ACC) (AM only)	
	Intersection Emergency Braking (IEB)	
	Intersection Warning System (IWS)	
	Lane Departure Warning (LDW)	
	Miss Acceleration Mitigation (MAM) (AM only)	
	Traffic Movement Warning (TMW)	
	Traffic Sign Recognition (TSR) (AM only)	
		Door mounted cornering lamps
		Driver and front left hand passenger seatbelt pretensioners
<b>PASSIVE SAFETY Cabin Occupant Safety Systems (COSS)</b>	Driver and front passenger airbags	
	ECE-R29 cab with side anti-intrusion beams	
	Overhead shelf restraint netting	

## Accessories<sup>3</sup>

	Isuzu Genuine Towbar	•
<b>Towing</b>	Isuzu Trailer Wiring Kit	•
	Isuzu Electric Trailer Brake Controller Kit	•
	Driving Lights	•
<b>Lights</b>	Beacons	•
	Isuzu Genuine Bull Bar	•
	Isuzu Seat Covers	•
<b>Protection</b>	Isuzu Floor Mats	•
	Isuzu Dash Mats	•
	Isuzu Weathershields	•
	Isuzu Mudflaps	•
	Isuzu Cameras	•
<b>Technology</b>	Isuzu Tyre Pressure Monitoring Alarms	•
	Isuzu Tyre Pressure Monitoring Alarms	•
<b>Aerodynamics</b>	Air Deflectors	•

• Fitted as Standard    • Option to Fit

**Australia's no.1  
truck, made  
more you.**



Colours shown are indicative only, additional costs may apply. Availability on request only for limited models. Check with your local dealer.

# Chassis

## Steering

<b>Type</b>	Power assisted recirculating ball
<b>Turns Lock To Lock</b>	5.4
<b>Wheel Lock Angle</b>	42.5° (inside wheel) / 32.7° (outside wheel)

## Suspension

<b>Front</b>	<b>Type:</b> Single stage steel taper leaf spring
	<b>Other Features:</b> Double acting hydraulic shock absorbers
<b>Rear</b>	<b>Type:</b> Multi leaf main, multi leaf helper spring
	<b>Other Features:</b> Double acting hydraulic shock absorbers. Stabiliser bar.

## Fuel and AdBlue® Tanks

<b>Diesel Tank</b>	<b>Type</b>	Frame mounted tank
	<b>Capacity<sup>4</sup> (L)</b>	140
	<b>Material</b>	Steel
	<b>Features</b>	Lockable Cap
<b>AdBlue® Tank</b>	<b>Type</b>	Frame mounted tank
	<b>Capacity<sup>4</sup> (L)</b>	16
	<b>Material</b>	High-Density Polyethylene

## Electrical Systems

<b>Voltage (V)</b>	24
<b>Alternator (A)</b>	90
<b>Starter Motor (kw)</b>	3.7
<b>Battery</b>	2 x 80D26L 600 (CCA)
<b>CAN bus Provision</b>	FMS Provision

## Chassis Frame

<b>Type</b>	Cold rivetted ladder frame
<b>Material</b>	HT540 steel
<b>Dimension</b>	Side Rail (mm): 230 x 70 x 5 Rear frame width (mm): 850

## Axle

<b>Front</b>	<b>Description</b>	Isuzu F031
	<b>Type</b>	Reverse Elliot I-beam
	<b>Capacity</b>	3,100 kg
<b>Rear</b>	<b>Description</b>	Isuzu R066
	<b>Type</b>	Full floating banjo with four differential pinions
	<b>Capacity</b>	6,600 kg
	<b>Ratio</b>	4.300 (MT) 4.556 (AM)

## Wheels & Tyres

<b>Front</b>	<b>Wheels</b>	19.5 x 6.00 six stud steel
	<b>Tyres</b>	225/70R19.5 125/1 23L Michelin
	<b>Front Axle Tyre Rating</b>	3,300 kg
<b>Rear</b>	<b>Wheels</b>	19.5 x 6.00 six stud steel
	<b>Tyres</b>	225/70R19.5 125/1 23L Michelin
	<b>Rear Axle Tyre Rating</b>	6,200 kg
<b>Spare</b>	<b>Wheels</b>	19.5 x 6.00 six stud steel
	<b>Tyres</b>	225/70R19.5 125/1 23L Michelin

## Brakes

<b>Type</b>	Ventilated disc/disc with dual circuit hydraulic control, integrated boost assist
<b>Front Diameter (mm)</b>	363
<b>Rear Diameter (mm)</b>	348
<b>Park Brake</b>	Electric Park Brake (EPB), drum mounted on rear of transmission.

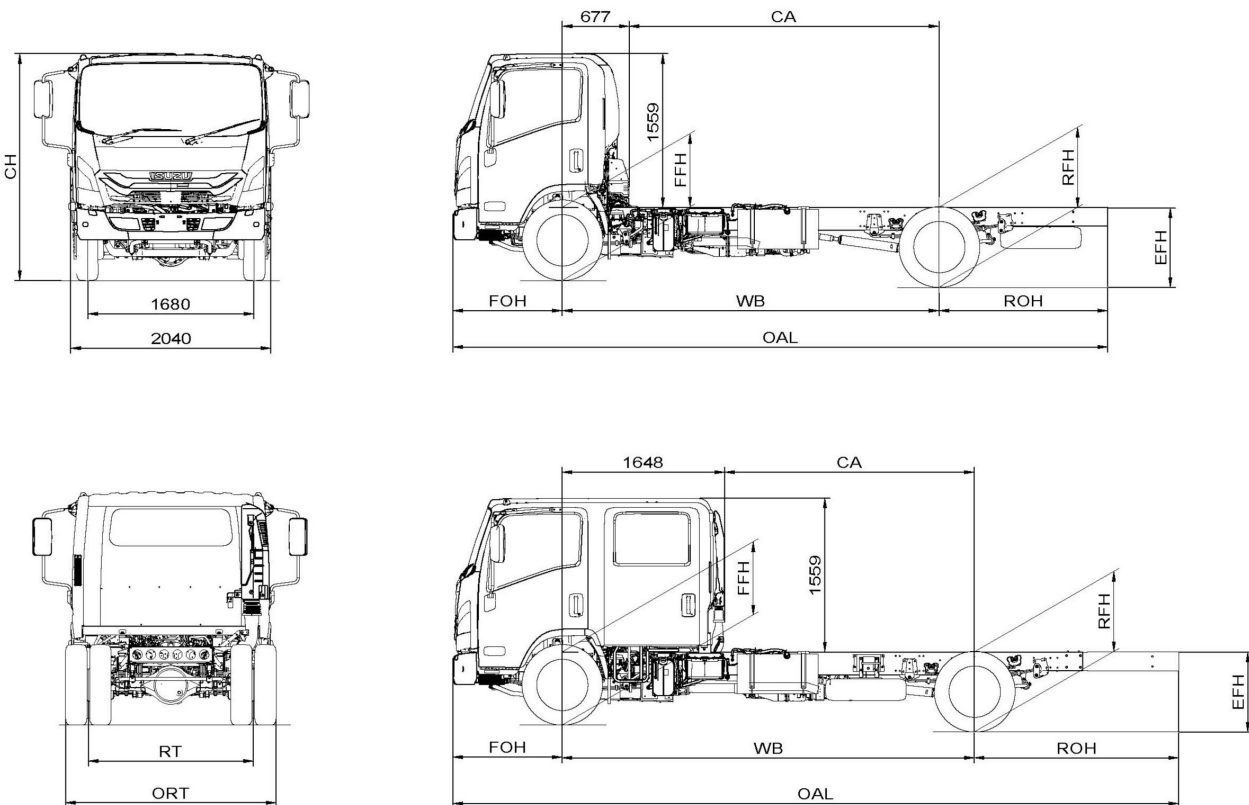
# Weights & Dimensions

## Weights (kg)

Models	Ratings <sup>5</sup>		Loading Limit <sup>5</sup> (at ground)		Cab Chassis Weight <sup>6</sup>			Order Code
	GVM	GCM	Front	Rear	Front	Rear	Total	
NQR 88/80-190 AM C42	8,800/8,000	12,300	3,100	6,200	2,244	1,076	3,320	NS-NQRGF-LAS
NQR 88/80-190 AM C45	8,800/8,000	12,300	3,100	6,200	2,255	1,085	3,340	NS-NQRGF-MAS
NQR 88/80-190 AM D34	8,800/8,000	12,300	3,100	6,200	1,958	1,022	2,980	NS-NQRFF-HAS
NQR 88/80-190 AM D38	8,800/8,000	12,300	3,100	6,200	1,969	1,036	3,005	NS-NQRFF-KAS
NQR 88/80-190 AM D42	8,800/8,000	12,300	3,100	6,200	2,049	981	3,030	NS-NQRFF-LAS
NQR 88/80-190 AM D45	8,800/8,000	12,300	3,100	6,200	2,060	985	3,045	NS-NQRFF-MAS
NQR 88/80-190 AM F45	8,800/8,000	12,300	3,100	6,200	2,050	980	3,030	NS-NQRHF-MAS
NQR 88/80-190 MT C42	8,800/8,000	12,300	3,100	6,200	2,219	1,066	3,285	NS-NQRGE-LAS
NQR 88/80-190 MT C45	8,800/8,000	12,300	3,100	6,200	2,230	1,075	3,305	NS-NQRGE-MAS
NQR 88/80-190 MT D34	8,800/8,000	12,300	3,100	6,200	1,933	1,012	2,945	NS-NQRFE-HAS
NQR 88/80-190 MT D42	8,800/8,000	12,300	3,100	6,200	2,024	971	2,995	NS-NQRFE-LAS
NQR 88/80-190 MT D45	8,800/8,000	12,300	3,100	6,200	2,035	975	3,010	NS-NQRFE-MAS

## Dimensions<sup>7</sup> (mm)

Models	WB	OAL	FOH	ROH	CA	RT	ORT	CH	FFH (Unladen)	RFH (Unladen)	EFH (Unladen)	Turning Circle <sup>8</sup> (m) Kerb To Kerb
NQR 88/80-190 D34	3,365	5,985	1,110	1,510	2,687	1,670	2,155	2,278	719	819	864	12.8
NQR 88/80-190 D42	4,175	7,355	1,110	2,070	3,497	1,670	2,155	2,274	715	820	872	15.5
NQR 88/80-190 C42	4,175	7,355	1,110	2,070	2,527	1,670	2,155	2,275	716	818	869	15.5
NQR 88/80-190 D45	4,475	7,815	1,110	2,230	3,797	1,670	2,155	2,274	715	820	872	16.5
NQR 88/80-190 C45	4,475	7,815	1,110	2,230	2,827	1,670	2,155	2,274	715	818	869	16.5
NQR 88/80-190 D38	3,815	6,635	1,110	1,710	3,137	1,670	2,155	2,276	717	819	865	14.2
NQR 88/80-190 F45	4,475	7,815	1,110	2,230	3,797	1,670	2,155	2,273	714	820	873	16.5



# Cabin Features

## General Features

<b>AUDIBLE WARNING</b>	Reverse alarm
<b>ENGINE ACCESS</b>	Access hatch under driver's seat and tiltable front passenger seat (Crew/Fixed cab) Manual cab tilt to 45° with torsion bar assistance (Day cab)
<b>EXTERIOR LIGHTING</b>	Bi-LED Headlamps with LED Daytime Running Lamps (DRL) Front LED fog lamps LED tail lamps Roof mounted clearance lamps
<b>FRONT BUMPER</b>	3-piece resin, body coloured
<b>GRILLE</b>	Silver paint
<b>MIRRORS</b>	Heated and powered exterior main mirrors with flat glass and adjustable convex "spot" mirrors
<b>SECURITY</b>	Passive Entry and Start System (PESS) with remote central locking and immobiliser
<b>STEPS</b>	Heavy duty anti-slip steps
<b>WIPERS</b>	Two speed windscreen wipers with intermittent wipe mode

## Driver Control

<b>ENGINE</b>	DPD manual regeneration switch
<b>GENERAL CONTROLS</b>	Windscreen wipers (2 speed and intermittent modes), washers, exhaust brake, turn signals
<b>SAFETY SYSTEMS</b>	On/Off and Adjustable safety systems (for more details see owner's manual) ADAS controls
<b>STEERING WHEEL CONTROLS</b>	Multi Information Display controls Multimedia controls (inc. phone)
<b>TRANSMISSION (AMT ONLY)</b>	Gear selection control with R-N-D and sequential shift positions Normal/economy gear selection modes



## Cabin Interior

<b>AIR CONDITIONING</b>	Auto climate control Rear cabin cooler vents (Crew cab)
<b>DOOR WINDOWS</b>	Electric control
<b>ENTRY ASSIST GRIPS</b>	Door and roof pillar mounted
<b>INTERIOR LIGHTING</b>	LED lamp Driver's bucket seat equipped with mechanical suspension and weight adjustment to 130kg (Day cab)
<b>OCCUPANCY</b>	Driver's bucket seat (Crew/Fixed cab) Passenger bench seat with 2 seat capacity Rear bench seat with 4 seat capacity (Crew cab)
<b>POWER OUTLET</b>	24V socket USB port
<b>SEATBELTS</b>	Lap sash seatbelts in all outboard seating positions. Centre seat lap belts.
<b>STEERING COLUMN</b>	Tilt / telescopic adjustable
<b>STORAGE</b>	Overhead cabinet, 2 cup holders, door pockets, centre phone storage pocket

## MyISUZU Co-Pilot Audio Visual Unit

<b>OPERATING SYSTEM</b>	Android Automotive
<b>NAVIGATION</b>	Truck tailored GPS based system + Live traffic and map content updates via smartphone link (live feed updates are provided for 3 years)
<b>RADIO</b>	AM / FM / DAB+
<b>INTERNAL STORAGE CAPACITY</b>	32GB
<b>SCREEN TYPE</b>	10.1" High Definition with capacitive touch Android Auto/Apple CarPlay compatible (wired)
<b>SMARTPHONE INTEGRATION</b>	Phone storage pocket USB socket Wi-Fi connectivity

## Instrumentation

<b>GENERAL INSTRUMENTATION</b>	Digital odometer with integrated dual tripmeters Engine temperature and fuel/AdBlue® level Speedometer and tachometer Adjustable vehicle speed warning
<b>MULTI INFORMATION DISPLAY</b>	AEB, FCW, DWS, LDW, FACC, TMW System activation alerts CTW indicator Hourmeter

# Service & Support



## Service Agreements

## Isuzu Essentials

## Isuzu Essentials Plus

## Isuzu Total

	Available on new trucks only and paid upfront - up to 72 months or the first 6 scheduled services	Available on new trucks and trucks currently in use - up to 72 months old	For new trucks only, Isuzu Total is our most comprehensive service package
Check and Report Fault Codes	•	•	•
Wheel Bearing Re-pack & Lubricating All Joints	•	•	•
Globes – Stop, Tail, Number Plate, Indicator, Headlight, Interior		•	•
Fan Belts & Coolant Hoses		•	•
Wiper Blades, Relays & Fuses		•	•
Engine, Transmission & Electrical Components			•
Brake & Suspension Components			•
Washer Fluids & Consumables	•	•	•
Labour	•	•	•

## Dealer Network

Service & Support	National Isuzu Truck Dealer Network
	Find dealer online



## Warranty<sup>9</sup>

Chassis	6 Year Standard Warranty 250,000 km / Unlimited Hours
Genuine Parts & Accessories	3 Years Standard Warranty (When installed by an Isuzu Trucks Approved Dealership - Including Labor)
Service Intervals	25,000 km or 12 Months or 500 hrs (whichever occurs first)

## Roadside Assist

Roadside Assist	6 Year Roadside Support 24/7 Unlimited Km
-----------------	--

<sup>1</sup> To utilise GCM, the vehicle must be fitted with towing equipment suited to meet the required GCM ratings in compliance to local regulations.

<sup>2</sup> Performance values are theoretically calculated based on the vehicle at GVM. Real world figures may vary based on driving conditions, vehicle configuration, load and environmental factors.

<sup>3</sup> Accessory Installer must ensure all fitted accessories comply with local road authority regulations and do not compromise safety or certification requirements (eg: ADR compliance)

<sup>4</sup> As shown on tank. Volume of fuel/AdBlue® that can be added to a near-empty tank will vary according to operating conditions.

<sup>5</sup> Vehicle ratings and axle weight limits are subject to government regulatory requirements. Consult your Isuzu dealer to select the correct vehicle for your specific application.

<sup>6</sup> Manufactures nominal tare mass, includes tools, spare wheel (if standard), 10 Litres of fuel and 10 Litres of AdBlue®. Weights subject to ± 3% tolerance.

<sup>7</sup> Drawing for reference only. Refer to the Isuzu Body Builder Guide for details.

<sup>8</sup> Turning circle dimensions are based on manufacturers calculations and may vary under real-world conditions.

<sup>9</sup> Subject to the conditions outlined in the IAL New Vehicle Warranty. All Isuzu warranties are subject to mandatory prescribed terms under Australian Consumer Law including consumer guarantees. For further information please visit [isuzu.com.au](http://isuzu.com.au) or contact your local dealer.

ISUZU AUSTRALIA LIMITED ABN 97 006 962 572 ("IAL"). The information in this specification sheet was correct at time of Publication, all measurements, specifications and equipment are subject to change without notice. Some equipment may have been changed and/or is available at extra cost. IAL may make changes at any time without notice, in prices, colours, materials, equipment and models. IAL makes all reasonable attempts to ensure the availability of all vehicles and equipment. The information in this specification sheet is general in nature. Your Isuzu dealer can confirm all measurements, specifications and vehicle / equipment availability upon request. To the extent permitted by the law, IAL is not liable to any person as result of reliance on the content of this specification sheet. Our National Customer Care Centre provides you access to a team of specialists with years of training. A conversation with an Isuzu specialist is as easy as contacting the team on 1800 035 640 or [customercare@isuzu.net.au](mailto:customercare@isuzu.net.au).

## Isuzu Australia Limited

[www.isuzu.com.au](http://www.isuzu.com.au)