

NPS 75/45-155 4X4 AMT SERVICEPACK X



Truck pictured includes bullbar accessory, available at additional cost. Images throughout may not accurately depict actual specification or they may show extra cost options. Refer written content or contact Isuzu for further details.

WEIGHT RATINGS

GVM 7,500 / 4,500 kg
GCM 11,000 / 9,000 kg
TOWING CAPACITY
 (at 4,500 kg GVM rating): 4,500 kg*

ENGINE

POWER 114 kW @ 2,600 rpm
TORQUE 419 Nm @ 1,600 - 2,600 rpm

TRANSMISSION

5 speed automated manual transmission (AMT)

* Refer to back page for detailed weight rating information

READY TO WORK	
STANDARD FEATURES	Fully powdercoated lightweight hybrid aluminium & steel service body
	Large open access main storage compartment & underbody drawers
	Aluminium gullwing doors for maximum versatility & accessibility
	Compact rear tray with checkerplate floor, drop down sides & integrated load restraint anchor points
	Body mounted roof racks
	LED interior lighting
	Front & rear yellow non-slip steps & grab handles
	Storage compartment locking integrated with vehicle central locking system. Key override possible
4,500 kg rated towbar with 50mm ball / pintle hook combo attachment.	
Isuzu low light capable reversing camera	

SERVICE AGREEMENTS			
Optional Service Packages	ESSENTIALS	ESSENTIALS PLUS	TOTAL
SCHEDULED SERVICINGS	●	●	●
CONSUMABLES		●	●
ENGINE, TRANSMISSION & DRIVELINE			●
EXTRAS	After-hours Servicing, Glass, Fuel Card, Pickup - Dropoff		

INTELLIGENT SAFETY	
ACTIVE SAFETY ADVANCED DRIVER ASSISTANCE SYSTEMS (ADAS)	Anti Lock Braking System (active in high range) (ABS)
	Customisable Speed Limiter (CSL)
	Automatic Lighting System (Front and Rear) (ALS)
	Cab Tilt Warning (CTW)
PASSIVE SAFETY CABIN OCCUPANT SAFETY SYSTEMS (COSS)	Driver & front passenger airbags
	Driver & front left hand passenger seatbelt pretensioners
	ECE-R29 cab with side anti-intrusion beams
	Overhead shelf restraint netting
	Door mounted cornering lamps

ISUZU CARE	
WARRANTY	3 Year Standard Warranty
	150,000 km / Unlimited Hours
ROADSIDE ASSIST	3 Year / Unlimited km Body Equipment
	3 Year Roadside Support
	24/7 Unlimited km

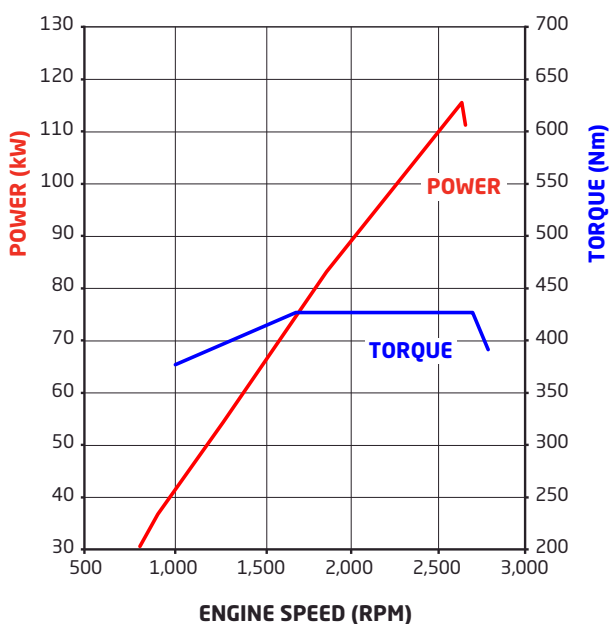
Subject to the conditions outlined in the IAL New Vehicle Warranty. For further information please visit isuzu.com.au or contact your local dealer.



NPS 75/45-155 4X4 AMT SERVICEPACK X

ENGINE	
DESCRIPTION	Isuzu 4HK1-TCN
TYPE	4 cylinder 16 valve SOHC
DISPLACEMENT	5,193 cc
COMPRESSION RATIO	17.5:1
BORE X STROKE	115 mm x 125 mm
POWER	114 kW (155PS) @ 2,600 rpm (DIN NET)
TORQUE	419 Nm @ 1,600 - 2,600 rpm (DIN NET)
INDUCTION	Electronically controlled variable nozzle turbocharger with air-to-air intercooler
FUEL INJECTION	Direct injection high pressure common rail
EMISSION CONTROL	Cooled EGR with exhaust Diesel Oxidation Catalyst (DOC). ADR 80/03 (Euro V) compliant.

Isuzu 4HK1-TCN



* Maximum torque electronically limited to 377Nm (DIN) when in low range first or reverse gear

CLUTCH	
AMT	Fully automated electro/hydraulically controlled wet clutch and fluid coupling with lock up

TRANSMISSION													
AMT	Description: Isuzu MYY-5A												
	Type: 5 speed with both fully automatic and clutchless manual operation modes												
	Ratios:												
	<table border="1"> <thead> <tr> <th>1ST</th> <th>2ND</th> <th>3RD</th> <th>4TH</th> <th>5TH</th> <th>REV</th> </tr> </thead> <tbody> <tr> <td>5.315</td> <td>2.908</td> <td>1.558</td> <td>1.000</td> <td>0.721</td> <td>5.068</td> </tr> </tbody> </table>	1ST	2ND	3RD	4TH	5TH	REV	5.315	2.908	1.558	1.000	0.721	5.068
1ST	2ND	3RD	4TH	5TH	REV								
5.315	2.908	1.558	1.000	0.721	5.068								
	Power Take Off facility: Provision on LHS of transmission case. Drive from counter gear.												
TRANSFER GEARBOX	Type: Part time 4WD Ratio: High: 1.00, Low: 1.842												

AXLES	
FRONT	Description: Isuzu F031
	Type: Full floating Banjo with Birfield outer joints
	Hub Locking: Manual
	Capacity: 3,100 kg
REAR	Description: Isuzu R066
	Type: Full floating banjo with four differential pinions
	Capacity: 6,600 kg
	Ratio: 5.571

SUSPENSION	
FRONT	Single stage alloy steel multi leaf springs
	Double acting hydraulic shock absorbers. Stabiliser bar.
REAR	Multi leaf main, multi leaf helper spring
	Double acting hydraulic shock absorbers

BRAKES	
TYPE	Drum brakes with dual circuit hydraulic control, hydraulic pressure assistance and load sensing proportioning valve
DIAMETER X WIDTH FRONT	320 x 100 mm
DIAMETER X WIDTH REAR	320 x 100 mm
PARK BRAKE	190mm diameter drum mounted on rear of transmission
AUXILIARY BRAKE	Vacuum controlled exhaust brake

STEERING	
TYPE	Power assisted recirculating ball
TURNS LOCK TO LOCK	3.7
WHEEL LOCK ANGLE	38° (inside wheel) / 30° (outside wheel)

WHEELS & TYRES	
FRONT	Wheels: 17.5 x 6.00 six stud steel wheels
	Tyres: 225/80R17.5 123/122L Bridgestone L330 Tubeless
	Steer axle tyre rating: 3,100 kg
REAR	Wheels: 17.5 x 6.00 six stud steel wheels
	Tyres: 225/80R17.5 123/122L Bridgestone L330 Tubeless
	Drive axle tyre rating: 6,000 kg
SPARE	1 frame mounted spare wheel and tyre assembly

CHASSIS FRAME	
TYPE	Cold rivetted ladder frame. SAPH440 steel sidemembers. Parallel side rails and rivetless top flange.
DIMENSIONS	Side rail (mm): 216 x 70 x 6.0 Rear frame width (mm): 850

FUEL TANK	
TYPE	Frame mounted steel fuel tank
CAPACITY	140L
FUEL CAP	Lockable

ELECTRICAL SYSTEM	
TYPE	24 volt
ALTERNATOR	90 amp
STARTER MOTOR	4.0 kW
BATTERY	2 x 80D26L (630 CCA) batteries connected in series

CABIN GENERAL FEATURES	
ENGINE ACCESS	Manual cab tilt to 45° with torsion bar assistance
STEPS	Heavy duty anti-slip steps
DOORS	90° opening internally reinforced front doors
MIRRORS	Heated and powered exterior main mirrors with flat glass and additional independantly adjustable convex "spot" mirrors
WIPERS	Two speed windscreen wipers with intermittent wipe mode
EXTERIOR LIGHTING	Multi-reflector halogen headlamps Roof mounted clearance lamps
AUDIBLE WARNING	Reverse alarm
GRILLE	Body coloured
SECURITY	Central locking with remote keyless entry and immobiliser

CABIN INTERIOR	
SEATING	Driver's bucket seat equipped with mechanical suspension and weight adjustment to 130kg Front passenger bench seat with 2 seat capacity
SEATBELTS	3-point lap sash seatbelts in all outboard seating positions. Centre seat lap belts.
STEERING COLUMN	Tilt / telescopic adjustable
ENTRY ASSIST GRIPS	Door and roof pillar mounted
DOOR WINDOWS	Electric control
STORAGE	Overhead shelf Twin cup holders Front centre console box and storage tray Front door pockets
POWER OUTLET	24V cigarette lighter
AIRCONDITIONING	Manual control
INTERIOR LIGHTING	Fluorescent lamp

MYISUZU CO-PILOT AUDIO VISUAL UNIT	
SCREEN TYPE	10.1" 1080p High Definition with capacitive touch
OPERATING SYSTEM	Android Automotive
RADIO	AM/FM/DAB+
INTERNAL STORAGE CAPACITY	32GB
SMARTPHONE INTEGRATION	USB 3.0 socket Wi-Fi connectivity Android Auto / Apple CarPlay compatible Phone storage pocket

DRIVER CONTROLS	
SAFETY SYSTEMS	Headlamps and ALS on/off
ENGINE	Idle speed control Cruise control
TRANSMISSION	Slow/fast gear engagement control, 1st gear start and normal/economy gear selection modes Gear selection control with R-N-D and sequential shift positions
GENERAL CONTROLS	Windscreen wipers (2 speed and intermittent modes), washers, exhaust brake, turn signals, high/low range and 4WD engage switches

INSTRUMENTATION	
MULTI INFORMATION DISPLAY	CTW indicator Low engine oil level alert (activated when oil pan < 66% capacity) Vehicle systems status Low fuel level alert Fuel consumption information Service interval alerts Hourmeter Adjustable vehicle speed warning
GENERAL INSTRUMENTATION	Speedometer and tachometer Digital odometer with integrated dual tripmeters Engine coolant temperature and fuel level gauges

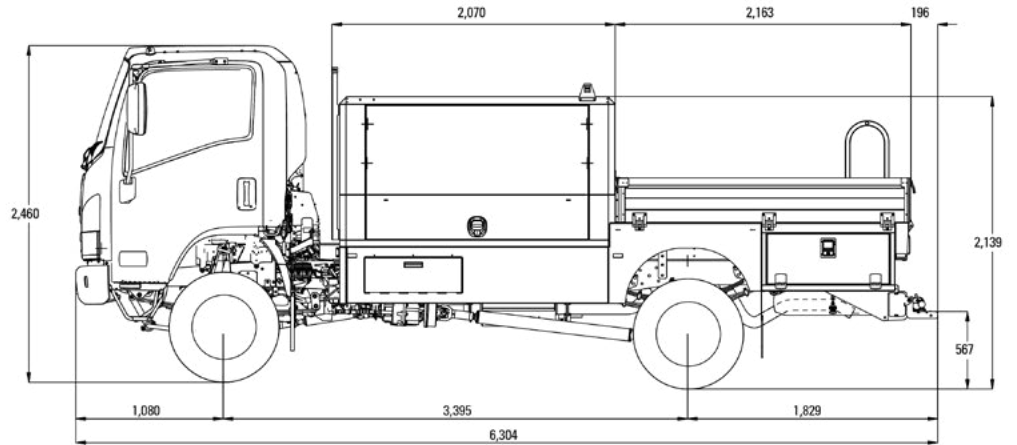
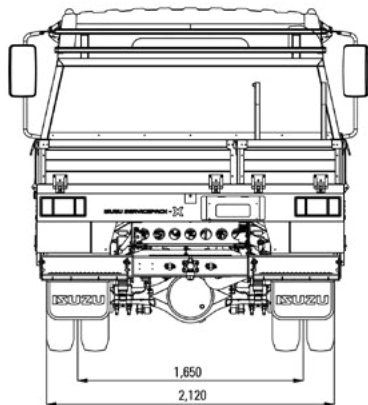
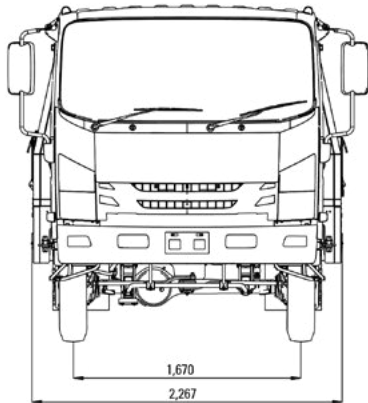


MyISUZU CO-PILOT audio visual unit.

WEIGHTS (kg)							
MODELS	RATINGS*		LOADING LIMIT* (at ground)		WEIGHT #		
	GVM	GCM	FRONT	REAR	FRONT	REAR	TOTAL
NPS 75/45-155 4X4 AMT SERVICEPACK X	7,500 / 4,500	11,000 / 9,000**	3,100	6,000	2,020	1,770	3,790

* Vehicle ratings and axle weight limits are subject to government regulatory requirements and weight distribution analysis. Consult your Isuzu dealer to select the correct vehicle for your specific application.**4,500 kg maximum towing limit applies to 4,500 kg GVM rated vehicle. Tag trailer weight should not exceed towing vehicle weight. Limit is subject to tow coupling and government regulatory requirements.

Vehicle as supplied and including 10 litres of fuel.



TURNING CIRCLE (kerb to kerb)
13.6 m

PERFORMANCE (calculated - typical paved road)				
		GEARED SPEED* (top gear at peak power engine rpm)	LOW SPEED GRADEABILITY (lowest forward gear assuming no wheel slip)	ENGINE SPEED (top gear at 100 km/h)
NPS 45-155 4X4 AMT SERVICEPACK X	At 4,500 kg GVM	95 km/h @ 2,600 rpm	> 100%	2,725 rpm
NLS 45-150 AWD SERVICEPACK X	At 4,500 kg GVM	95 km/h @ 2,600 rpm	62%	2,725 rpm

* Maximum speed achievable depends on vehicle frontal area as well as other factors. Consult your Isuzu dealer for more detailed information.

ORDER CODES	
MODELS	CODES
NPS 75/45-155 4X4 AMT SERVICEPACK X	NH-NPSAB-DG1

Subject to the conditions outlined in the IAL New Vehicle Warranty, 4x4 and AWD Isuzu N series models carry a standard factory warranty which covers the owner for the first 36 months or 150,000 kilometres (whichever comes first). All Isuzu warranties are subject to mandatory prescribed terms under Australian Consumer Law including consumer guarantees. The installed Body and associated equipment carry a standard warranty which covers the owner for the first 36 months. For more details visit the Isuzu website at www.isuzu.com.au which explains Isuzu warranties in more detail, or alternatively contact your local Isuzu Truck dealer. All warranties commence from date of initial delivery.

ISUZU AUSTRALIA LIMITED ABN 97 006 962 572 ("IAL"). The information in this spec sheet was correct at time of printing, but all measurements, specifications and equipment are subject to change without notice. Some equipment may have been changed and/or is available at extra cost. IAL may make changes at any time without notice, in prices, colours, materials, equipment and models. IAL makes all reasonable attempts to ensure the availability of all vehicles and equipment. The information in this spec sheet is general in nature. Your Isuzu dealer can confirm all measurements, specifications and vehicle / equipment availability upon request. To the extent permitted by the law, IAL is not liable to any person as result of reliance on the content of this spec sheet.