

NPR 45/55-155 TRADEPACK



WEIGHT RATINGS

| | |
|--|------------------|
| GVM | 4,500 / 5,500 kg |
| GCM | 9,000 kg |
| TOWING CAPACITY (at 4,500 kg GVM rating) | 4,500 kg* |

ENGINE

| | |
|---------------|----------------------------|
| POWER | 114 kW @ 2,600 rpm |
| TORQUE | 419 Nm @ 1,600 - 2,600 rpm |

TRANSMISSION

| |
|---|
| 6 speed manual transmission (MT) |
| 6 speed automated manual transmission (AMT) |

* Refer to back page for detailed weight rating information

| READY TO WORK | |
|-------------------------------|--|
| STANDARD FEATURES | Heavy duty aluminium tray |
| | Heavy duty aluminium ladder racks |
| | Integrated load restraint anchor points |
| | Headboard including rear window protector |
| | Removable drop sides and rear tailgate |
| | Isuzu satellite navigation |
| | Isuzu low light capable reversing camera |
| | Genuine Isuzu Bullbar |
| | Genuine Isuzu 3,500 kg rated towbar |
| Arc White cab colour | |
| PREMIUM MODEL FEATURES | Powder coated lockable underbody mounted storage box |
| | Underbody mounted 23L water tank and soap dispenser |
| | Foldaway rear access step |
| | Alternative cab colours at no extra cost |

| SERVICE AGREEMENTS | | | |
|---|---|-----------------|-------|
| Optional Service Packages | ESSENTIALS | ESSENTIALS PLUS | TOTAL |
| SCHEDULED SERVICINGS | ● | ● | ● |
| CONSUMABLES | | ● | ● |
| ENGINE, TRANSMISSION & DRIVELINE | | | ● |
| EXTRAS | After-hours Servicing, Glass, Fuel Card, Pickup - Dropoff | | |

| INTELLIGENT SAFETY | | |
|--|---|--------------|
| ACTIVE SAFETY ADVANCED DRIVER ASSISTANCE SYSTEMS (ADAS) | Advanced Emergency Braking | (AEB) |
| | Forward Collision Warning | (FCW) |
| | Distance Warning System | (DWS) |
| | Lane Departure Warning | (LDW) |
| | Traffic Movement Warning | (TMW) |
| | Electronic Stability Control | (ESC) |
| | Anti-Skid Regulator | (ASR) |
| | Anti-Lock Braking System | (ABS) |
| | Customisable Speed Limiter | (CSL) |
| | Hill Start Aid (MT model only) | (HSA) |
| | Automatic Lighting System (Front & Rear) | (ALS) |
| PASSIVE SAFETY CABIN OCCUPANT SAFETY SYSTEMS (COSS) | Cab Tilt Warning | (CTW) |
| | Driver & front passenger airbags | |
| | Driver & front left hand passenger seatbelt pretensioners | |
| | ECE-R29 cab with side anti-intrusion beams | |
| | Overhead shelf restraint netting | |
| Door mounted cornering lamps | | |

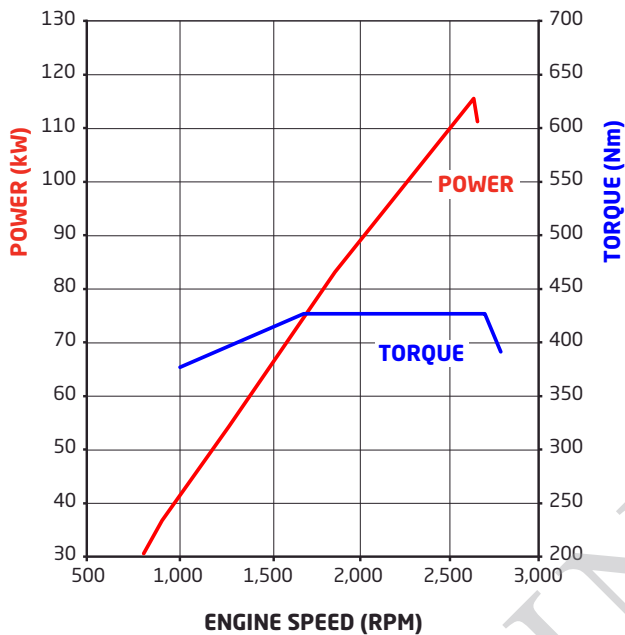
| ISUZU CARE | |
|------------------------|--------------------------------------|
| WARRANTY | 6 Year Standard Warranty |
| | 250,000 km / Unlimited Hours |
| | 3 Year / Unlimited km Body Equipment |
| ROADSIDE ASSIST | 6 Year Roadside Support |
| | 24/7 Unlimited km |



Subject to the conditions outlined in the IAL New Vehicle Warranty. For further information please visit isuzu.com.au or contact your local dealer.

| ENGINE | |
|--------------------------|--|
| DESCRIPTION | Isuzu 4HK1-TCN |
| TYPE | 4 cylinder 16 valve SOHC |
| DISPLACEMENT | 5,193 cc |
| COMPRESSION RATIO | 17.5:1 |
| BORE X STROKE | 115 mm x 125 mm |
| POWER | 114 kW (155PS) @ 2,600 rpm (DIN NET) |
| TORQUE | 419 Nm @ 1,600 - 2,600 rpm (DIN NET) |
| INDUCTION | Electronically controlled variable nozzle turbocharger with air-to-air intercooler |
| FUEL INJECTION | Direct injection high pressure common rail |
| EMISSION CONTROL | Cooled EGR with exhaust Diesel Oxidation Catalyst (DOC). ADR 80/03 (Euro V) compliant. |

Isuzu 4HK1-TCN



| CLUTCH | |
|------------|---|
| MT | <p>Type: Single plate with auto adjusting hydraulic control and vacuum assistance</p> <p>Clutch Plate Diameter: 325 mm</p> <p>Clutch lining area: 966 cm²</p> |
| AMT | <p>Type: Fully automated electro/hydraulically controlled wet clutch and fluid coupling with lock up</p> |

| TRANSMISSION | | | | | | | | | | | | | | | |
|--|--|-------|-------|-------|-------|-------|-------|-------|-------|-------|-------|-------|-------|-------|-------|
| MT | <p>Description: Isuzu MYY-6E</p> <p>Type: 6 speed manual. Synchromesh on gears 1-6.</p> <p>Ratios:</p> <table border="1"> <thead> <tr> <th>1ST</th> <th>2ND</th> <th>3RD</th> <th>4TH</th> <th>5TH</th> <th>6TH</th> <th>REV</th> </tr> </thead> <tbody> <tr> <td>5.979</td> <td>3.434</td> <td>2.040</td> <td>1.379</td> <td>1.000</td> <td>0.750</td> <td>5.701</td> </tr> </tbody> </table> <p>Power Take Off facility: Provision on LHS of transmission case. Drive from counter gear.</p> | 1ST | 2ND | 3RD | 4TH | 5TH | 6TH | REV | 5.979 | 3.434 | 2.040 | 1.379 | 1.000 | 0.750 | 5.701 |
| | 1ST | 2ND | 3RD | 4TH | 5TH | 6TH | REV | | | | | | | | |
| | 5.979 | 3.434 | 2.040 | 1.379 | 1.000 | 0.750 | 5.701 | | | | | | | | |
| <p>Description: Isuzu MYY-6E</p> <p>Type: 6 speed with both fully automatic and clutchless manual operation modes</p> <p>Ratios:</p> <table border="1"> <thead> <tr> <th>1ST</th> <th>2ND</th> <th>3RD</th> <th>4TH</th> <th>5TH</th> <th>6TH</th> <th>REV</th> </tr> </thead> <tbody> <tr> <td>5.979</td> <td>3.434</td> <td>2.040</td> <td>1.379</td> <td>1.000</td> <td>0.750</td> <td>5.701</td> </tr> </tbody> </table> <p>Power Take Off facility: Provision on LHS of transmission case. Drive from counter gear.</p> | 1ST | 2ND | 3RD | 4TH | 5TH | 6TH | REV | 5.979 | 3.434 | 2.040 | 1.379 | 1.000 | 0.750 | 5.701 | |
| 1ST | 2ND | 3RD | 4TH | 5TH | 6TH | REV | | | | | | | | | |
| 5.979 | 3.434 | 2.040 | 1.379 | 1.000 | 0.750 | 5.701 | | | | | | | | | |
| AMT | <p>Description: Isuzu MYY-6E</p> <p>Type: 6 speed with both fully automatic and clutchless manual operation modes</p> <p>Ratios:</p> <table border="1"> <thead> <tr> <th>1ST</th> <th>2ND</th> <th>3RD</th> <th>4TH</th> <th>5TH</th> <th>6TH</th> <th>REV</th> </tr> </thead> <tbody> <tr> <td>5.979</td> <td>3.434</td> <td>2.040</td> <td>1.379</td> <td>1.000</td> <td>0.750</td> <td>5.701</td> </tr> </tbody> </table> <p>Power Take Off facility: Provision on LHS of transmission case. Drive from counter gear.</p> | 1ST | 2ND | 3RD | 4TH | 5TH | 6TH | REV | 5.979 | 3.434 | 2.040 | 1.379 | 1.000 | 0.750 | 5.701 |
| 1ST | 2ND | 3RD | 4TH | 5TH | 6TH | REV | | | | | | | | | |
| 5.979 | 3.434 | 2.040 | 1.379 | 1.000 | 0.750 | 5.701 | | | | | | | | | |

| AXLES | |
|--------------|--|
| FRONT | <p>Description: Isuzu F031</p> <p>Type: Reverse Elliot I-beam</p> <p>Capacity: 3,100 kg</p> |
| | <p>Description: Isuzu R066</p> <p>Type: Full floating banjo with four differential pinions</p> <p>Capacity: 6,600 kg</p> <p>Ratio: 4.100</p> |
| | |

| SUSPENSION | |
|--------------|--|
| FRONT | <p>Single stage alloy steel taper leaf springs</p> <p>Double acting hydraulic shock absorbers. Stabiliser bar.</p> |
| REAR | <p>Multi leaf main, taper leaf helper spring</p> <p>Double acting hydraulic shock absorbers. Stabiliser bar.</p> |

| BRAKES | |
|------------------------|---|
| TYPE | Ventilated disc/disc with dual circuit hydraulic control, vacuum assistance and electronic brake force distribution (EBD) |
| DIAMETER FRONT | 293 mm |
| DIAMETER REAR | 293 mm |
| PARK BRAKE | 190 mm diameter drum mounted on rear of transmission |
| AUXILIARY BRAKE | Vacuum controlled exhaust brake |

| STEERING | |
|---------------------------|--|
| TYPE | Power assisted recirculating ball |
| GEAR RATIO | 20.9 |
| TURNS LOCK TO LOCK | 5.4 |
| WHEEL LOCK ANGLE | 43° (inside wheel) / 33° (outside wheel) |

| WHEELS & TYRES | |
|----------------|--|
| FRONT | <p>Wheels: 16 x 5.5J five stud steel</p> <p>Tyres: 195/85R16 114/112L Michelin XJE4 Mix Energy Tubeless</p> <p>Steer axle tyre rating: 2,360 kg</p> |
| | <p>Wheels: 16 x 5.5J five stud steel</p> <p>Tyres: 195/85R16 114/112L Michelin XJE4 Mix Energy Tubeless</p> <p>Drive axle tyre rating: 4,480 kg</p> |
| | |
| REAR | |
| SPARE | 1 frame mounted spare wheel and tyre assembly |

| CHASSIS FRAME | |
|-------------------|--|
| TYPE | Cold rivetted ladder frame. SAPH440 steel sidemembers. Parallel side rails and rivetless top flange. |
| DIMENSIONS | <p>Side rail (mm): 216 x 70 x 6.0</p> <p>Rear frame width (mm): 850</p> |

| FUEL TANK | |
|-----------------|-------------------------------|
| TYPE | Frame mounted steel fuel tank |
| CAPACITY | 100L |
| FUEL CAP | Lockable |

| ELECTRICAL SYSTEM | |
|----------------------|--|
| TYPE | 24 volt |
| ALTERNATOR | 90 amp |
| STARTER MOTOR | 4.0 kW |
| BATTERY | 2 x 80D26L (630 CCA) batteries connected in series |

| CABIN GENERAL FEATURES | |
|--------------------------|--|
| ENGINE ACCESS | Manual cab tilt to 45° with torsion bar assistance |
| STEPS | Heavy duty anti-slip steps |
| DOORS | 90° opening internally reinforced front doors |
| MIRRORS | Heated and powered exterior main mirrors with flat glass and additional independantly adjustable convex "spot" mirrors |
| WIPERS | Two speed windscreen wipers with intermittent wipe mode |
| EXTERIOR LIGHTING | Multi-reflector halogen headlamps |
| | Roof mounted clearance lamps |
| | Front foglamps |
| AUDIBLE WARNING | Reverse alarm |
| GRILLE | Chrome |
| SECURITY | Central locking with remote keyless entry and immobiliser |

| CABIN INTERIOR | |
|---------------------------|--|
| SEATING | Driver's bucket seat equipped with mechanical suspension and weight adjustment to 130 kg |
| | Front passenger bench seat with 2 seat capacity |
| SEATBELTS | 3-point lap sash seatbelts in all outboard seating positions. Centre seat lap belts. |
| STEERING COLUMN | Tilt/telescopic adjustable |
| ENTRY ASSIST GRIPS | Door and roof pillar mounted |
| DOOR WINDOWS | Electric control |
| STORAGE | Overhead shelf |
| | Twin cup holders |
| | Front centre console box and storage tray |
| | Front door pockets |
| POWER OUTLET | 24V cigarette lighter |
| AIRCONDITIONING | Auto control |
| INTERIOR LIGHTING | Fluorescent lamp |

| AUDIO VISUAL UNIT | |
|----------------------------------|--|
| SCREEN TYPE | 6.2" LCD with capacitive touch |
| OPERATING SYSTEM | Android |
| RADIO | AM/FM/DAB+. Internet radio via smartphone. |
| INTERNAL STORAGE CAPACITY | 32GB |
| OTHER CAPABILITY | Provision for external camera inputs, navigation, reverse sensors and tyre pressure monitoring |

| DRIVER CONTROLS | |
|--------------------------------|---|
| SAFETY SYSTEMS | AEB on/off, FCW on/off/sensitivity adjust, LDW on/off/sensitivity adjust, TMW on/off, ESC&ASR on/off, headlamps and ALS on/off, HSA on/off/sensitivity adjust (MT only) |
| ENGINE | Idle speed control |
| | Cruise control |
| TRANSMISSION (AMT ONLY) | Slow/fast gear engagement control, 1st gear start and normal/economy gear selection modes |
| | Gear selection control with R-N-D and sequential shift positions |
| GENERAL CONTROLS | Windscreen wipers (2 speed and intermittent modes), washers, exhaust brake, turn signals |

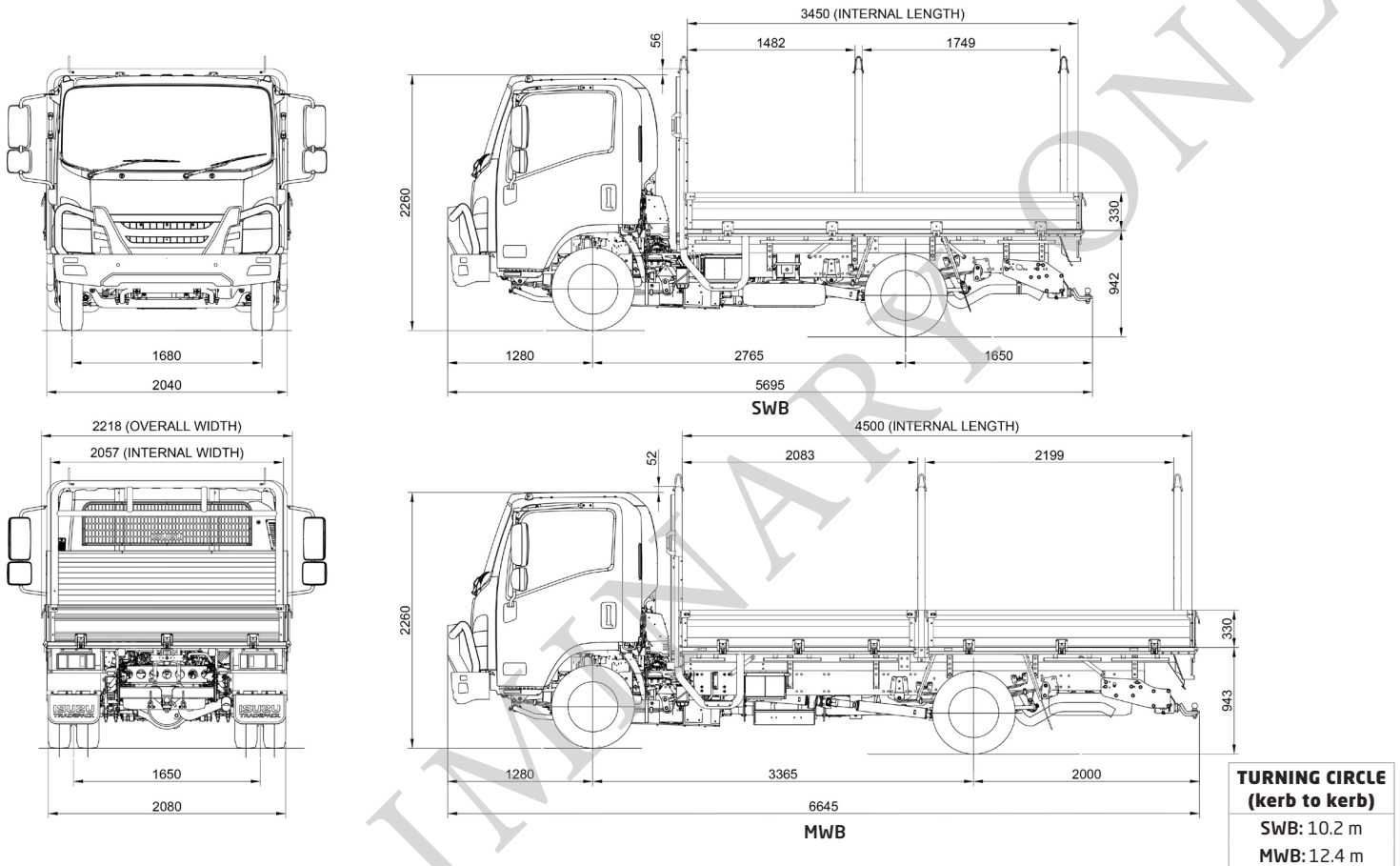
| INSTRUMENTATION | |
|----------------------------------|--|
| MULTI INFORMATION DISPLAY | AEB,FCW,DWS,LDW,TMW systems activation alerts |
| | CTW indicator |
| | Low engine oil level alert (activated when oil pan < 71% capacity) |
| | Vehicle systems status |
| | Low fuel level alert |
| | Fuel consumption information |
| | Service interval alerts |
| | Hourmeter |
| GENERAL INSTRUMENTATION | Adjustable vehicle speed warning |
| | Speedometer and tachometer |
| | Digital odometer with integrated dual tripmeters |
| | Engine coolant temperature and fuel level gauges |

NPR 45/55-155 TRADEPACK

| WEIGHTS (kg) | | | | | | | |
|--|---------------|---------|----------------------------|-------|----------|-------|-------|
| MODELS | RATINGS* | | LOADING LIMIT* (at ground) | | WEIGHT # | | |
| | GVM | GCM | FRONT | REAR | FRONT | REAR | TOTAL |
| NPR 45/55-155 SWB TRADEPACK | 4,500 / 5,500 | 9,000** | 2,360 | 4,480 | 1,775 | 1,095 | 2,870 |
| NPR 45/55-155 AMT SWB TRADEPACK | 4,500 / 5,500 | 9,000** | 2,360 | 4,480 | 1,785 | 1,140 | 2,925 |
| NPR 45/55-155 MWB TRADEPACK | 4,500 / 5,500 | 9,000** | 2,360 | 4,480 | 1,790 | 1,175 | 2,965 |
| NPR 45/55-155 AMT MWB TRADEPACK | 4,500 / 5,500 | 9,000** | 2,360 | 4,480 | 1,815 | 1,200 | 3,015 |

* Vehicle ratings and axle weight limits are subject to government regulatory requirements and weight distribution analysis. Consult your Isuzu dealer to select the correct vehicle for your specific application.**4,500 kg maximum towing limit applies to 4,500 kg GVM rated vehicle. Tag trailer weight should not exceed towing vehicle weight. Limit is subject to government regulatory requirements.

Vehicle as supplied and including 10 litres of fuel.



| PERFORMANCE (calculated - typical paved road) | | | | |
|---|-----------------|--|--|--|
| | | GEARED SPEED* (top gear at peak power engine rpm) | LOW SPEED GRADEABILITY (lowest forward gear assuming no wheel slip) | ENGINE SPEED (top gear at 100 km/h) |
| NPR 45-155 TRADEPACK | At 4,500 kg GVM | 114 km/h @ 2,600 rpm | 58% | 2,275 rpm |
| NPR 55-155 TRADEPACK | At 5,500 kg GVM | 114 km/h @ 2,600 rpm | 47% | 2,275 rpm |

* Maximum speed achievable depends on vehicle frontal area as well as other factors. Consult your Isuzu dealer for more detailed information.

| ORDER CODES | |
|--|--------------|
| MODELS | CODES |
| NPR 45/55-155 SWB TRADEPACK | NH-NPRAB-AB1 |
| NPR 45/55-155 SWB TRADEPACK PREMIUM | NH-NPRAB-AH1 |
| NPR 45/55-155 AMT SWB TRADEPACK | NH-NPRAB-ZB1 |
| NPR 45/55-155 AMT SWB TRADEPACK PREMIUM | NH-NPRAB-ZH1 |
| NPR 45/55-155 MWB TRADEPACK | NH-NPRAB-BB1 |
| NPR 45/55-155 MWB TRADEPACK PREMIUM | NH-NPRAB-BH1 |
| NPR 45/55-155 AMT MWB TRADEPACK | NH-NPRAB-DB1 |
| NPR 45/55-155 AMT MWB TRADEPACK PREMIUM | NH-NPRAB-DH1 |

Subject to the conditions outlined in the IAL New Vehicle Warranty, 4x2 Isuzu N series models carry a standard factory warranty which covers the owner for the first 72 months or 250,000 kilometres (whichever comes first). All Isuzu warranties are subject to mandatory prescribed terms under Australian Consumer Law including consumer guarantees. The installed Body and associated equipment carry a standard warranty which covers the owner for the first 36 months. For more details visit the Isuzu website at www.isuzu.com.au which explains Isuzu warranties in more detail, or alternatively contact your local Isuzu Truck dealer. All warranties commence from date of initial delivery.

ISUZU AUSTRALIA LIMITED ABN 97 006 962 572 ("IAL"). The information in this spec sheet was correct at time of printing, but all measurements, specifications and equipment are subject to change without notice. Some equipment may have been changed and/or is available at extra cost. IAL may make changes at any time without notice, in prices, colours, materials, equipment and models. IAL makes all reasonable attempts to ensure the availability of all vehicles and equipment. The information in this spec sheet is general in nature. Your Isuzu dealer can confirm all measurements, specifications and vehicle / equipment availability upon request. To the extent permitted by the law, IAL is not liable to any person as result of reliance on the content of this spec sheet.