

FVZ 240-300 6X4 DUAL CONTROL FVY 240-300 6X4 DUAL CONTROL



WEIGHT RATINGS*

GVM	24,000 kg
GCM	36,000 kg

ENGINE

POWER	221 kW @ 2,400 rpm
TORQUE	981 Nm @ 1,450 rpm

TRANSMISSION

6 speed automatic transmission (AT)

* Refer to back page for detailed weight rating information

ISUZU CARE	
WARRANTY	6 Year Standard Warranty
	500,000 km / 8,000 Engine Hours
ROADSIDE ASSIST	6 Year Roadside Support
	24/7 Unlimited km
HARSH APPLICATION WARRANTY (CONCRETE AGITATOR / GARBAGE COMPACTOR)	3 Year Standard Warranty
	200,000 km / no hours stipulation
	3 Year Roadside Support
	24/7 Unlimited km

INTELLIGENT SAFETY		
ACTIVE SAFETY	Electronic Stability Control	(ESC)
	Anti Lock Braking System	(ABS)
	Anti Skid Regulator	(ASR)
	Cab Tilt Warning	(CTW)
PASSIVE SAFETY CABIN OCCUPANT SAFETY SYSTEMS (COSS)	Low light capable reversing camera	
	RHS driver airbag	
	RHS driver seatbelt pretensioner	
	Door mounted cornering lamps	

SERVICE AGREEMENTS			
OPTIONAL SERVICE PACKAGES	ESSENTIALS	ESSENTIALS PLUS	TOTAL
SCHEDULED SERVICINGS	●	●	●
CONSUMABLES		●	●
ENGINE, TRANSMISSION & DRIVELINE			●
EXTRAS	After-hours Servicing, Glass, Fuel Card, Pickup - Dropoff		

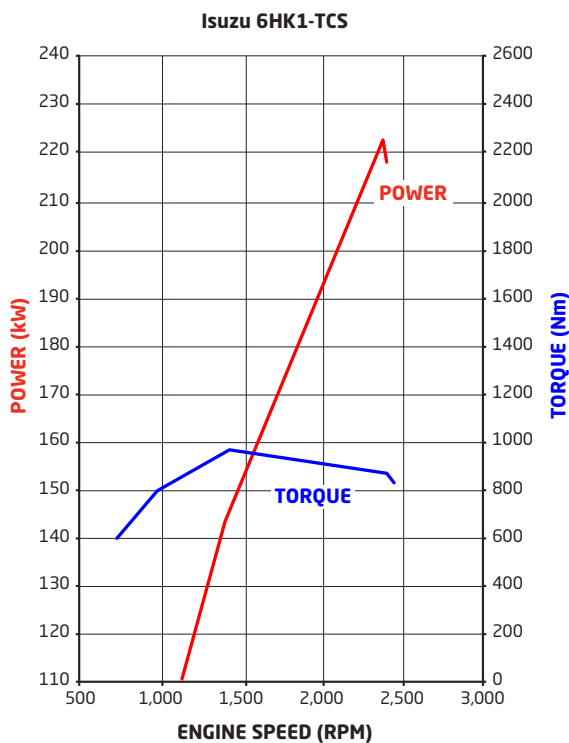


Subject to the conditions outlined in the IAL New Vehicle Warranty. For further information please visit isuzu.com.au or contact your local dealer.

FV2 240-300 6X4 DUAL CONTROL

FVY 240-300 6X4 DUAL CONTROL

ENGINE	
DESCRIPTION	Isuzu 6HK1-TCS
TYPE	6 cylinder 24 valve SOHC
DISPLACEMENT	7,790 cc
COMPRESSION RATIO	17.5:1
BORE X STROKE	115mm x 125mm
POWER	221kW (300PS) @ 2,400 RPM (DIN NET)
TORQUE	981Nm @ 1,450 RPM (DIN NET)
INDUCTION	Electronically controlled variable nozzle turbocharger with air-to air intercooler.
FUEL INJECTION	Direct injection high pressure common rail system.
EMISSION CONTROL	Cooled EGR with exhaust Diesel Particulate Diffuser (DPD). ADR 80/03 (Euro V / EEV) compliant.



TRANSMISSION	
AT	Description: Allison 3500
	Type: 6 speed automatic
	Ratios:
	1st 2nd 3rd 4th 5th 6th Rev
	4.59 2.25 1.54 1.00 0.75 0.65 5.00
	Power Take Off facility:
	LHS mounted Isuzu/Hydroco PA4823JBL11G33IS Hot Shift PTO
	Torque output rating: 730Nm standard duty (PTO only) / 615Nm standard duty (considering Allison limits)
	107.17% ratio
	Rotation direction same as engine
	SAE 1410 output flange
	Other features: 5th generation electronic controls with adaptive shift. Long life TranSynd synthetic fluid.

AXLES	
FRONT	Description: Meritor FG941
	Type: Reverse Elliot I-beam
	Capacity: 6,600 kg
REAR	Description: Meritor MT44-144GP
	Type: Tandem drive
	Other Features: Inter-axle lock and cross locks fitted to both axles.
	Capacity: 20,000kg
	Ratio: 6.428

SUSPENSION		
FRONT	Type:	Single stage alloy steel taper-leaf springs
	Other features:	Double acting hydraulic shock absorbers. Stabiliser bar.
REAR	FVZ Type:	Multi-leaf springs with Isuzu 6 rod and trunnion location system
	FVY Description:	Hendrickson HAS460
	FVY Type:	Airbag
	Capacity:	18,100 kg at ground

BRAKES	
TYPE	Meritor 'Q-Plus'
DIAMETER X WIDTH FRONT	Full air 'S-Cam' front and rear drum brakes
DIAMETER X WIDTH REAR	419 x 127 mm
PARK BRAKE	419 x 178 mm
AUXILIARY BRAKE	Spring park brake acting on all rear wheels
	Air controlled exhaust brake

STEERING	
TYPE	Power assisted recirculating ball. LHS and RHS control positions linked by gear driven cross shaft.
GEAR RATIO	22.4:1
TURNS LOCK TO LOCK	5.4
WHEEL LOCK ANGLE	45° (inside wheel) / 35° (outside wheel)

WHEELS & TYRES		
FRONT	Wheels:	22.5 x 8.25 ten stud ISO standard steel wheels
	Tyres:	295/80R22.5 152/148M Michelin X Multi Z Tubeless
	Steer axle tyre rating	7,100 kg
REAR	Wheels:	22.5 x 8.25 ten stud ISO standard steel wheels
	Tyres:	11R22.5 148/145L Michelin X Multi D Tubeless
	Tandem axle tyre rating:	23,200 kg
Spare: Spare wheel and X Multi Z tyre assembly supplied. Winch type carrier (except FVZ MWB and FVY MWB)		

CHASSIS FRAME	
TYPE	Cold rivetted ladder frame with parallel side rails.
MATERIAL	MWB / MLWB: HT540A LWB: SAPH440
DIMENSIONS	MWB / MLWB: Side rail (mm): 254 x 85 x 8.0 Rear frame width (mm): 850 LWB: Side rail (mm): 258 x 85 x 10.0 Rear frame width (mm): 850

FUEL TANK	
TYPE	Frame mounted steel fuel tank
CAPACITY	200L
FUEL CAP	Lockable

ELECTRICAL SYSTEM	
TYPE	24 volt
ALTERNATOR	90 amp
STARTER MOTOR	5.0 kW
BATTERY	2 x 115E41L (651 CCA) batteries connected in series
DIGITAL CONTROL SYSTEM (SELECTABLE FEATURES INCLUDE)	PTO and engine speed control
	Inter axle lock control with override protection against driver engagement error
	Cross lock control with override protection against driver engagement error
	Speed limiting during bin lift operation
	Airbag suspension dump control
	CAN output for various vehicle states
	Power connection points from vehicle lights, park brake and reverse gear selection switches
10A battery and ignition switch supply circuits	

CABIN SPECIFICATIONS & APPOINTMENTS

CABIN GENERAL FEATURES	
ENGINE ACCESS	Electro-hydraulic cab tilt
CAB MOUNTING	Rear coil spring suspension with hydraulic shock absorbers
STEPS	Heavy duty anti slip steps
DOORS	90° opening internally reinforced front doors
MIRRORS	Heated & powered exterior main mirrors with flat glass and additional independantly adjustable convex "spot" mirrors
WIPERS	Two speed windscreen wipers with intermittent wipe mode
EXTERIOR LIGHTING	LED main beam & halogen high beam headlamp assembly with position lamp
	Roof mounted clearance lamps
	Front foglamps
AUDIBLE WARNING	Reverse alarm
GRILLE	Body coloured
FRONT BUMPER	Body coloured air dam type
SECURITY	Central locking with remote keyless entry & immobiliser
OTHER FEATURES	"DUAL CONTROL" labelling at front of cab

CABIN INTERIOR	
SEATING	Isri 6860/875 NTS air suspension driver's seat
	Isri 6860/875 NTS air suspension front passenger seat
SEATBELTS	3-point lap sash seatbelts in all outboard seating positions. Driver and outboard front passenger seatbelt integrated with seat.
STEERING COLUMN	Electrically tilt adjustable
ENTRY ASSIST GRIPS	Door & roof pillar mounted
DOOR WINDOWS	Electric control
STORAGE	Overhead compartments
	Twin cup holders
	Front door pockets
POWER OUTLET	24V cigarette lighter
AIRCONDITIONING	Manual control
INTERIOR LIGHTING	Fluorescent lamp
REAR COMPARTMENT	ADR 42 compliant sleeper

AUDIO VISUAL UNIT	
SCREEN TYPE	6.2" LCD with capacitive touch
OPERATING SYSTEM	Android
RADIO	AM/FM/DAB+. Internet radio via smartphone
INTERNAL STORAGE CAPACITY	32GB
OTHER CAPABILITY	Provision for external camera inputs, navigation, reverse sensors and tyre pressure monitoring

DRIVER CONTROLS	
SAFETY SYSTEMS	ESC on/off
ENGINE	Idle speed control
	Cruise control
	DPD manual regeneration switch
TRANSMISSION	Push button gear selection control
GENERAL CONTROLS	Centrally mounted LHS or RHS driving position selection switch and ignition switch
	Headlamp on/off and levelling, windscreen wipers (2 speed and intermittent modes), washers, exhaust brake, turn signals
	Inter-axle and cross lock engage switches

INSTRUMENTATION	
MULTI INFORMATION DISPLAY	CTW indicator
	Low engine oil level alert
	Vehicle systems status
	Low fuel level alert
	Fuel consumption information
	Service interval alerts
	Hourmeter
GENERAL INSTRUMENTATION	Adjustable vehicle speed warning
	Speedometer & tachometer
	Digital odometer with integrated dual tripmeters Engine coolant temperature, fuel level and air pressure gauges

FVZ 240-300 6X4 DUAL CONTROL

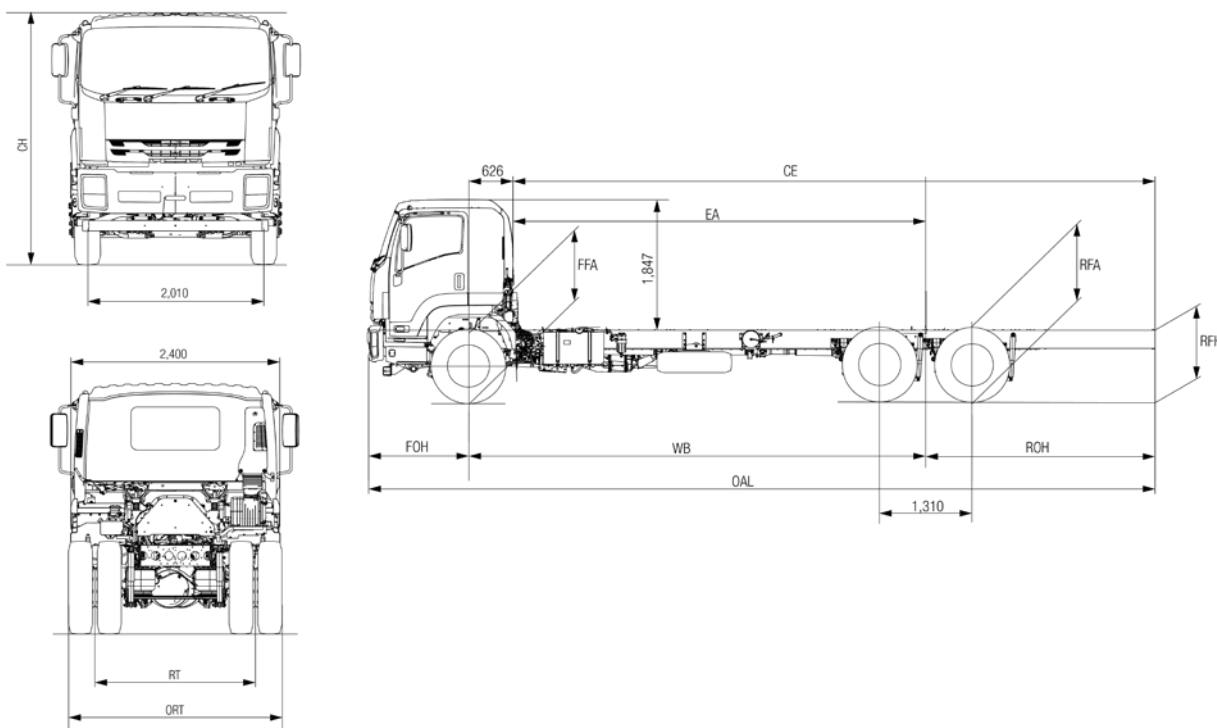
FVY 240-300 6X4 DUAL CONTROL

WEIGHTS (kg)							
MODELS	RATINGS*		LOADING LIMIT* (at ground)		CAB CHASSIS WEIGHT #		
	GVM	GCM	FRONT	REAR	FRONT	REAR	TOTAL
FVZ 240-300 MWB DUAL CONTROL	24,000	36,000	6,600	20,000	3,495**	3,325**	6,820**
FVZ 240-300 MLWB DUAL CONTROL	24,000	36,000	6,600	20,000	3,600**	3,360**	6,960**
FVY 240-300 MWB DUAL CONTROL	24,000	36,000	6,600	18,100	3,495	3,125	6,620
FVY 240-300 LWB DUAL CONTROL	24,000	36,000	6,600	18,100	3,800**	3,350**	7,150**

* Vehicle ratings and front/rear weight limits are subject to government regulatory requirements and weight distribution analysis. Consult your Isuzu dealer to select the correct vehicle for your specific application.**Calculated estimates.

Cab chassis only as supplied and including 10 litres of fuel.

DIMENSIONS (mm)													
MODELS	WB	OAL	FOH	ROH	EA	CE	RT	ORT	CH	FFA (unladen)	RFA (unladen)	RFH (unladen)	TURNING CIRCLE KERB TO KERB (m)
FVZ 240-300 MWB DUAL CONTROL	4,410	7,605	1,440	1,755	3,710	5,540	1,840	2,445	2,850	1,000	1,075	1,090	15.4
FVZ 240-300 MLWB DUAL CONTROL	5,300	9,180	1,440	2,440	4,600	7,115	1,840	2,445	2,850	1,000	1,075	1,080	18.5
FVY 240-300 MWB DUAL CONTROL	4,410	7,605	1,440	1,755	3,710	5,540	1,840	2,445	2,810	1,000	1,015	1,015	15.4
FVY 240-300 LWB DUAL CONTROL	6,470	11,150	1,440	3,240	5,770	9,085	1,840	2,445	2,850	1,000	1,020	1,025	22.6



PERFORMANCE (calculated - typical paved road)				
		GEARED SPEED~ (top gear at peak power engine rpm)	LOW SPEED GRADEABILITY (lowest forward gear assuming no wheel slip)	ENGINE SPEED (top gear at 100 km/h)
FVZ/FVY 240-300 DUAL CONTROL	at 24,000 kg GVM	111 km/h @ 2,400 RPM	41%	2,160 RPM

* Maximum speed achievable depends on vehicle frontal area as well as other factors. Consult your Isuzu dealer for more detailed information. Vehicle is speed limited to 100km/h.

ORDER CODES	
Models	Codes
FVZ 240-300 MWB DUAL CONTROL	FH-FVZTZ-L22
FVZ 240-300 MLWB DUAL CONTROL	FH-FVZTZ-M22
FVY 240-300 MWB DUAL CONTROL	FH-FVYZZ-L22
FVY 240-300 LWB DUAL CONTROL	FH-FVYZZ-N22

Subject to the conditions outlined in the IAL New Vehicle Warranty, Isuzu F series models carry a standard factory warranty which covers the owner for the first 72 months or 500,000 kilometres or 8,000 Engine Hours (whichever comes first). All Isuzu warranties are subject to mandatory prescribed terms under Australian Consumer Law including consumer guarantees. Harsh Conditions variations to standard factory warranty may apply. For more details visit the Isuzu website at www.isuzu.com.au which explains Isuzu warranties in more detail, or alternatively contact your local Isuzu Truck dealer. All warranties commence from date of initial delivery.

ISUZU AUSTRALIA LIMITED ABN 97 006 962 572 ("IAL"). The information in this spec sheet was correct at time of printing, but all measurements, specifications and equipment are subject to change without notice. Some equipment may have been changed and/or is available at extra cost. IAL may make changes at any time without notice, in prices, colours, materials, equipment and models. IAL makes all reasonable attempts to ensure the availability of all vehicles and equipment. The information in this spec sheet is general in nature. Your Isuzu dealer can confirm all measurements, specifications and vehicle / equipment availability upon request. To the extent permitted by the law, IAL is not liable to any person as result of reliance on the content of this spec sheet.