

## FTS 139-260 4X4 FTS 139-260 4X4 CREW



### WEIGHT RATINGS\*

**GVM** 13,900 kg  
**GCM** 21,000 kg

### ENGINE

**POWER** 191 kW @ 2,400 rpm  
**TORQUE** 761 Nm @ 1,450 - 2400 rpm

### TRANSMISSION

6 speed manual transmission (MT)  
6 speed automatic transmission (AT)

\* Refer to back page for detailed weight rating information

ISUZU CARE	
<b>WARRANTY</b>	3 Year Standard Warranty 200,000 km / no hours stipulation
<b>ROADSIDE ASSIST</b>	3 Year Roadside Support 24/7 Unlimited km

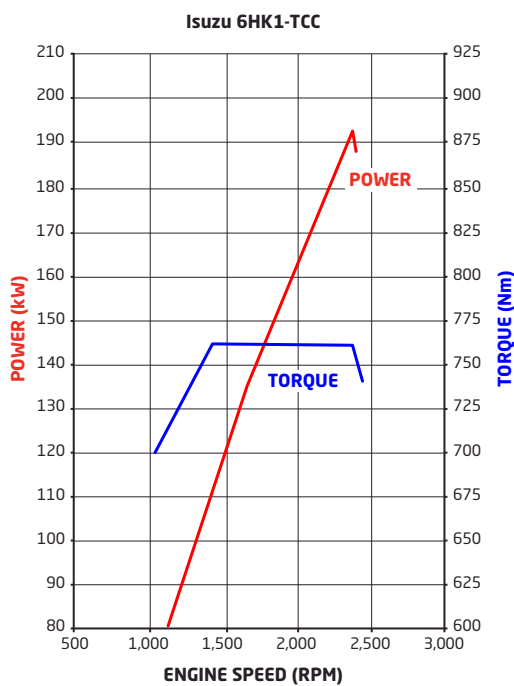
SERVICE AGREEMENTS			
OPTIONAL SERVICE PACKAGES	ESSENTIALS	ESSENTIALS PLUS	TOTAL
<b>SCHEDULED SERVICINGS</b>	●	●	●
<b>CONSUMABLES</b>		●	●
<b>ENGINE, TRANSMISSION &amp; DRIVELINE</b>			●
<b>EXTRAS</b>	After-hours Servicing, Glass, Fuel Card, Pickup - Dropoff		

INTELLIGENT SAFETY		
<b>ACTIVE SAFETY</b>	Anti Lock Braking System (active in high range)	<b>(ABS)</b>
	Hill Start Aid - except AT models	<b>(HSA)</b>
	Cab Tilt Warning	<b>(CTW)</b>
	Low light capable reversing camera	
<b>PASSIVE SAFETY CABIN OCCUPANT SAFETY SYSTEMS (COSS)</b>	Driver & front passenger airbags	
	Driver & front left hand passenger seatbelt pretensioners	
	ECE-R29 cab with side anti-intrusion beams	



Subject to the conditions outlined in the IAL New Vehicle Warranty. For further information please visit [isuzu.com.au](http://isuzu.com.au) or contact your local dealer.

ENGINE	
<b>DESCRIPTION</b>	Isuzu 6HK1-TCC
<b>TYPE</b>	6 cylinder 24 valve SOHC
<b>DISPLACEMENT</b>	7,790 cc
<b>COMPRESSION RATIO</b>	17.5:1
<b>BORE X STROKE</b>	115 mm x 125 mm
<b>POWER</b>	191 kW (260PS) @ 2,400 rpm (DIN NET)
<b>TORQUE</b>	761 Nm @ 1,450 rpm - 2,400 rpm (DIN NET)
<b>INDUCTION</b>	Electronically controlled variable nozzle turbocharger with air-to air intercooler
<b>FUEL INJECTION</b>	Direct injection high pressure common rail system
<b>EMISSION CONTROL</b>	Cooled EGR with exhaust Diesel Particulate Diffuser (DPD). ADR 80/03 (Euro V / EEV) compliant.



TRANSMISSION																
<b>MT</b>	<b>CLUTCH</b>	<b>Type:</b> Single plate with air assisted hydraulic control <b>Clutch plate diameter:</b> 381 mm <b>Clutch lining area:</b> 1,363 cm <sup>2</sup>														
	<b>GEARBOX</b>	<b>Description:</b> Isuzu MZW-6P <b>Type:</b> 6 speed with synchromesh on gears 2-6 <b>Ratios:</b> <table border="1"> <thead> <tr> <th>1st</th> <th>2nd</th> <th>3rd</th> <th>4th</th> <th>5th</th> <th>6th</th> <th>Rev</th> </tr> </thead> <tbody> <tr> <td>6.615</td> <td>4.095</td> <td>2.358</td> <td>1.531</td> <td>1.000</td> <td>0.722</td> <td>6.615</td> </tr> </tbody> </table>	1st	2nd	3rd	4th	5th	6th	Rev	6.615	4.095	2.358	1.531	1.000	0.722	6.615
		1st	2nd	3rd	4th	5th	6th	Rev								
		6.615	4.095	2.358	1.531	1.000	0.722	6.615								
<b>Power Take Off facility:</b> PTO provision on LHS of transmission case																
<b>Other features:</b> Air assisted shift, full pressure oil lubrication																
<b>AT</b>	<b>Description:</b> Allison LCT2500 <b>Type:</b> 6 speed automatic <b>Ratios:</b> <table border="1"> <thead> <tr> <th>1st</th> <th>2nd</th> <th>3rd</th> <th>4th</th> <th>5th</th> <th>6th</th> <th>Rev</th> </tr> </thead> <tbody> <tr> <td>3.51</td> <td>1.90</td> <td>1.44</td> <td>1.00</td> <td>0.74</td> <td>0.64</td> <td>5.09</td> </tr> </tbody> </table>	1st	2nd	3rd	4th	5th	6th	Rev	3.51	1.90	1.44	1.00	0.74	0.64	5.09	
	1st	2nd	3rd	4th	5th	6th	Rev									
	3.51	1.90	1.44	1.00	0.74	0.64	5.09									
	<b>Power Take Off facility:</b> LHS and RHS PTO openings on transmission case. Torque convertor turbine driven PTO drive gear.															
<b>Other features:</b> Allison long life TranSynd synthetic fluid																
<b>GEARBOX TRANSFER</b>	<b>Description:</b> Isuzu TF56 <b>Type:</b> Full time 4WD with lockable centre differential <b>Ratio:</b> High: 1.00, Low: 1.913															

AXLES	
<b>FRONT</b>	<b>Description:</b> Isuzu FD052
	<b>Type:</b> Single drive with Birfield outer joints
	<b>Other features:</b> Permanently engaged front hubs
	<b>Capacity:</b> 5,200 kg
<b>REAR</b>	<b>Description:</b> Isuzu R100
	<b>Type:</b> Single drive
	<b>Other features:</b> "No Spin" differential lock
	<b>Capacity:</b> 10,000 kg
<b>Ratio:</b>	5.857:1 (MT models), 6.500:1 (AT models)
	5.857 (MT models), 6.500 (AT models)

SUSPENSION	
<b>FRONT</b>	<b>Type:</b> Single stage alloy steel taper-leaf springs <b>Other features:</b> Double acting hydraulic shock absorbers
<b>REAR</b>	<b>Type:</b> Multi-leaf main spring, multi leaf helper spring

BRAKES	
<b>TYPE</b>	Air over hydraulic dual circuit front and rear drum brakes.
<b>DIAMETER X WIDTH FRONT</b>	410 x 140mm
<b>DIAMETER X WIDTH REAR</b>	410 x 140mm
<b>PARK BRAKE</b>	Spring park brake acting on all rear wheels
<b>AUXILIARY BRAKE</b>	Air controlled exhaust brake

STEERING	
<b>TYPE</b>	Power assisted recirculating ball
<b>GEAR RATIO</b>	18.1 - 22.4:1
<b>TURNS LOCK TO LOCK</b>	3.5
<b>WHEEL LOCK ANGLE</b>	34° (inside wheel) / 29° (outside wheel)

WHEELS & TYRES	
<b>FRONT</b>	<b>Wheels:</b> 22.5 x 7.50 eight stud steel wheels
	<b>Tyres:</b> 11R22.5 148/145K Michelin XZY 3 Tubeless
	<b>Steer axle tyre rating:</b> 6,300 kg
<b>REAR</b>	<b>Wheels:</b> 22.5 x 7.50 eight stud steel wheels
	<b>Tyres:</b> 11R22.5 148/145K Michelin XDY 3 Tubeless
	<b>Drive axle tyre rating:</b> 11,600 kg
<b>Spare:</b> Spare wheel and tyre assembly supplied. Winch type carrier.	

CHASSIS FRAME	
<b>TYPE</b>	Cold rivetted ladder frame with parallel side rails
<b>MATERIAL</b>	SAPH440 steel sidemembers
<b>DIMENSIONS</b>	<b>Side rail (mm):</b> 253 x 85 x 7.5 <b>Rear frame width (mm):</b> 850

FUEL TANK	
<b>TYPE</b>	Frame mounted steel fuel tank
<b>CAPACITY</b>	200L
<b>FUEL CAP</b>	Lockable

ELECTRICAL SYSTEM	
<b>TYPE</b>	24 volt
<b>ALTERNATOR</b>	90 amp
<b>STARTER MOTOR</b>	5.0 kw
<b>BATTERY</b>	<b>Single cab:</b> 2 x 115E41L (651 CCA) batteries connected in series <b>Crew cab:</b> 2 x 80D26L (630 CCA) batteries connected in series
<b>CAN BUS PROVISION</b>	Underdash CAN system access plug for connection to a Fleet Management System (FMS) (not supplied)

## CABIN SPECIFICATIONS & APPOINTMENTS

CABIN GENERAL FEATURES	
<b>ENGINE ACCESS</b>	<b>Single cab:</b> Manual cab tilt to 45° with torsion bar assistance <b>Crew cab:</b> Electro-hydraulic cab tilt
<b>STEPS</b>	Heavy duty anti slip steps
<b>DOORS</b>	90° opening internally reinforced front doors
<b>MIRRORS</b>	Heated and powered exterior main mirrors with flat glass & additional independantly adjustable convex "spot" mirrors
<b>WIPERS</b>	Two speed windscreen wipers with intermittent wipe mode
<b>EXTERIOR LIGHTING</b>	Halogen main beam and halogen high beam headlamp assembly Roof mounted clearance lamps
<b>AUDIBLE WARNING</b>	Reverse alarm
<b>GRILLE</b>	Body coloured
<b>FRONT BUMPER</b>	Body coloured
<b>SECURITY</b>	Central locking with remote keyless entry & immobiliser

CABIN INTERIOR	
<b>SEATING</b>	Isri 6860/875 NTS air suspension driver's seat Isri 6860/875 NTS air suspension front passenger seat & front centre seat with folding seat back <b>Crew cab:</b> Rear bench seat with 4 seat capacity
<b>SEATBELTS</b>	3-point lap sash seatbelts in all outboard seating positions. Driver and outboard front passenger seatbelt integrated with seat. Centre seat lap belts.
<b>STEERING COLUMN</b>	Tilt / telescopic adjustable
<b>ENTRY ASSIST GRIPS</b>	Door & roof pillar mounted
<b>DOOR WINDOWS</b>	Electric control
<b>STORAGE</b>	Overhead compartments Twin cup holders Centre console box & storage tray Front door pockets
<b>POWER OUTLET</b>	24V cigarette lighter
<b>AIRCONDITIONING</b>	Manual control
<b>INTERIOR LIGHTING</b>	Fluorescent lamp
<b>REAR COMPARTMENT</b>	<b>Single cab:</b> ADR 42 compliant sleeper

MYISUZU CO-PILOT AUDIO VISUAL UNIT	
<b>SCREEN TYPE</b>	10.1" 1080p High Definition with capacitive touch
<b>NAVIGATION</b>	Truck tailored GPS based system + live feed traffic alerts and live feed route optimisation via smartphone link (live feed updates are provided for 3 years)
<b>OPERATING SYSTEM</b>	Android Automotive
<b>RADIO</b>	AM/FM/DAB+
<b>INTERNAL STORAGE CAPACITY</b>	32GB
<b>SMARTPHONE INTEGRATION</b>	USB 3.0 socket Wi-Fi connectivity Android Auto / Apple CarPlay compatible Phone storage pocket

DRIVER CONTROLS	
<b>SAFETY SYSTEMS</b>	HSA on/off/sensitivity adjust (except AT models)
<b>ENGINE</b>	Idle speed control Cruise control DPD manual regeneration switch
<b>TRANSMISSION (AT ONLY)</b>	T-bar gear selection control
<b>GENERAL CONTROLS</b>	Headlamp on/off, windscreen wipers (2 speed and intermittent modes), washers, exhaust brake, turn signals, high/low range and centre differential lock switches

INSTRUMENTATION	
<b>MULTI INFORMATION DISPLAY</b>	CTW indicator Low engine oil level alert Vehicle systems status Low fuel level alert Fuel consumption information Service interval alerts Hourmeter Adjustable vehicle speed warning
<b>GENERAL INSTRUMENTATION</b>	Speedometer & tachometer Digital odometer with integrated dual tripmeters Engine coolant temperature, fuel level and air pressure gauges

# FTS 139-260 4X4 FTS 139-260 4X4 CREW

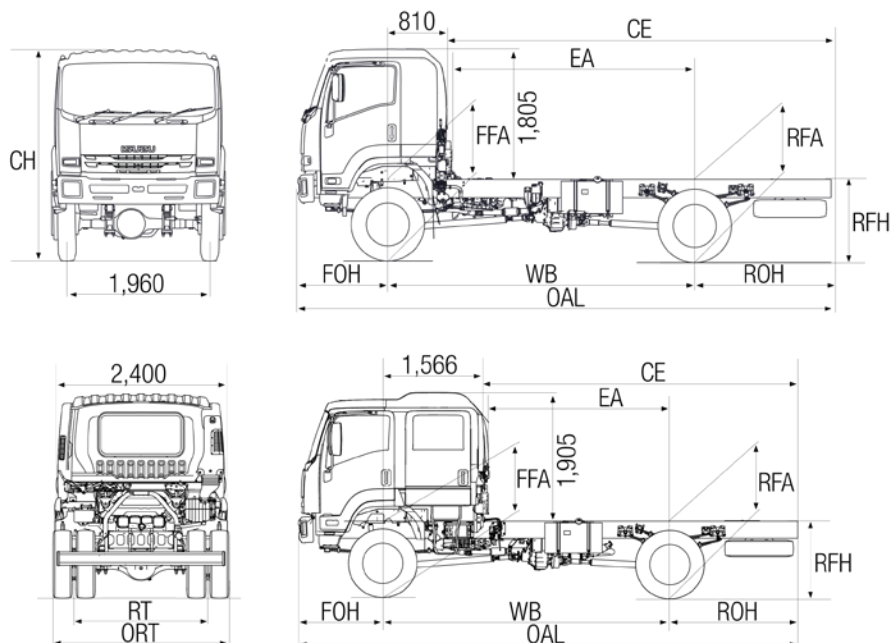
WEIGHTS (kg)							
MODELS	RATINGS*		LOADING LIMIT* (at ground)		CAB CHASSIS WEIGHT #		
	GVM	GCM	FRONT	REAR	FRONT	REAR	TOTAL
FTS 139-260 4X4	13,900	21,000	5,200	10,000	3,225	2,040	5,265
FTS 139-260 4X4 AUTO	13,900	21,000**	5,200	10,000	3,175	2,060	5,235
FTS 139-260 4X4 CREW	13,900	21,000	5,200	10,000	3,325	2,100	5,425
FTS 139-260 4X4 AUTO CREW	13,900	21,000**	5,200	10,000	3,275	2,120	5,395

\* Vehicle ratings and front/rear weight limits are subject to government regulatory requirements and weight distribution analysis. Consult your Isuzu dealer to select the correct vehicle for your specific application.

\*\* Pre-approved ratings as stated apply for general transport and distribution applications. For other applications approval from Allison is required.

# Cab chassis only as supplied and including 10 litres of fuel.

DIMENSIONS (mm)													
MODELS	WB	OAL	FOH	ROH	EA	CE	RT	ORT	CH	FFA (unladen)	RFA (unladen)	RFH (unladen)	TURNING CIRCLE KERB TO KERB (m)
FTS 139-260	4,250	7,405	1,255	1,900	3,350	5,340	1,795	2,365	2,935	1,125	1,185	1,220	17.5
FTS 139-260 AUTO	4,250	7,405	1,255	1,900	3,350	5,340	1,795	2,365	2,935	1,145	1,240	1,285	17.5
FTS 139-260 CREW	4,250	7,405	1,255	1,900	2,625	4,648	1,795	2,365	3,070	1,120	1,185	1,220	17.5
FTS 139-260 AUTO CREW	4,250	7,405	1,255	1,900	2,625	4,648	1,795	2,365	3,090	1,140	1,245	1,290	17.5



PERFORMANCE (calculated - typical paved road)				
		GEARED SPEED~ (top gear at peak power engine rpm)	LOW SPEED GRADEABILITY (lowest forward gear assuming no wheel slip)	ENGINE SPEED (top gear at 100 km/h)
FTS 139-260 4X4	at 13,900 kg GVM	111 km/h @ 2,400 rpm	70%	2,170 rpm
FTS 139-260 4X4 AUTO	at 13,900 kg GVM	112 km/h @ 2,400 rpm	65%	2,135 rpm

\* Maximum speed achievable depends on vehicle frontal area as well as other factors. Consult your Isuzu dealer for more detailed information.

ORDER CODES	
Models	Codes
FTS 139-260 4X4	FH-FTSJP-B22
FTS 139-260 4X4 AUTO	FH-FTSJP-L22
FTS 139-260 4X4 CREW	FH-FTSLP-B22
FTS 139-260 4X4 AUTO CREW	FH-FTSLP-L22

Subject to the conditions outlined in the IAL New Vehicle Warranty, Isuzu F series 4x4 models carry a standard factory warranty which covers the owner for the first 36 months or 200,000km, no hours stipulation. All Isuzu warranties are subject to mandatory prescribed terms under Australian Consumer Law including consumer guarantees. Harsh Conditions variations to standard factory warranty may apply. For more details visit the Isuzu website at [www.isuzu.com.au](http://www.isuzu.com.au) which explains Isuzu warranties in more detail, or alternatively contact your local Isuzu Truck dealer. All warranties commence from date of initial delivery.

ISUZU AUSTRALIA LIMITED ABN 97 006 962 572 ("IAL"). The information in this spec sheet was correct at time of printing, but all measurements, specifications and equipment are subject to change without notice. Some equipment may have been changed and/or is available at extra cost. IAL may make changes at any time without notice, in prices, colours, materials, equipment and models. IAL makes all reasonable attempts to ensure the availability of all vehicles and equipment. The information in this spec sheet is general in nature. Your Isuzu dealer can confirm all measurements, specifications and vehicle / equipment availability upon request. To the extent permitted by the law, IAL is not liable to any person as result of reliance on the content of this spec sheet.