

# ISUZU

## SPECIFICATIONS

### NLR 45-150 AMT

### SERVICEPACK X



Fully powdercoated lightweight hybrid aluminium and steel service body / Large open access main storage compartment and underbody boxes / Gullwing doors for maximum versatility and accessibility / Compact rear tray with checkerplate floor, drop down sides and integrated load restraint anchor points / Body mounted roof racks / LED interior lighting / Front and rear yellow non-slip steps and grab handles / Storage compartment locking integrated with vehicle central locking system. Key override possible / 2,500kg rated towbar / Isuzu reversing camera

**AUSTRALIA'S TOP SELLING TRUCK BRAND SINCE 1989.**

#### AT A GLANCE

GVM	4,500 kg
GCM	8,000 kg
Power	110 kW @ 2,800 rpm
Torque	375 Nm @ 1,600 - 2,800 rpm

#### OPTIONS

**Automated Manual Transmission (AMT) model:**  
includes AMT

#### ADVANCED TECHNOLOGY

Emissions: Euro V / ADR 80/03	Stability Control System (IESC)
Meets EEV emissions standard	Anti Skid Regulator (ASR)
Driver and passenger airbag with seatbelt pretensioner	Electric mirrors
ECE-R29 compliant cab	Cruise control
Anti-lock Braking System (ABS)	Independent front coil suspension
	Cornering lamps



# ISUZU TRUCKS

# NLR 45-150

## SERVICEPACK

### DRIVELINE AND CHASSIS SPECIFICATIONS

#### ENGINE: ISUZU 4JJ1-TCS

- Type:** 4 cylinder 16 valve with chain driven DOHC
- Displacement:** 2,999 cc
- Compression ratio:** 17.5:1
- Bore x Stroke:** 95.4 mm x 104.9 mm
- Max power (DIN-NET):** 110 kW (148 HP) @ 2,800 RPM  
**(JIS Gross):** 114 kW (153 HP) @ 2,800 RPM
- Max torque (DIN-NET):** 375 Nm (277 lb.ft) @ 1,600 - 2,800 RPM  
**(JIS Gross):** 388 Nm (286 lb.ft) @ 1,600 - 2,800 RPM
- Induction system:** Electronically controlled variable nozzle turbocharger with air-to-air intercooler.
- Fuel injection:** Direct injection high pressure common rail system.
- Emission control system:** Cooled EGR with exhaust Diesel Particulate Diffuser (DPD). ADR 80/03 (Euro V) compliant. EEV compliant.

#### CLUTCH

- Fully automated hydraulically controlled wet clutch and torque convertor with lock up.

#### TRANSMISSION

##### ISUZU MYY-6E

- 6 speed Automated Manual Transmission (AMT) with both fully automatic and clutchless manual operation modes.
  - PTO provision on LHS of transmission case. PTO drive from counter gear.
  - Gear ratios (:1)**
- | 1st   | 2nd   | 3rd   | 4th   | 5th   | 6th   | Rev   |
|-------|-------|-------|-------|-------|-------|-------|
| 5.979 | 3.434 | 2.040 | 1.379 | 1.000 | 0.750 | 5.701 |

#### AXLES

- Front:** ISUZU F1026
- Fully independent wishbone. 2,600 kg capacity.
- Rear:** ISUZU R050
- Full floating Banjo type. Four differential pinions. 5,000 kg capacity.
  - Drive ratio: 4.100:1

#### SUSPENSION

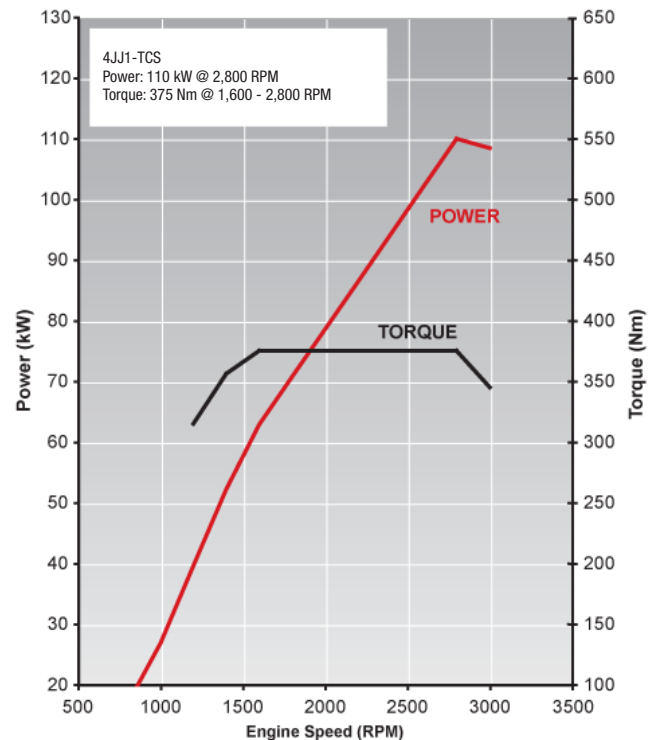
- Front:**
- Coil springs.
  - Double acting hydraulic shock absorbers.
- Rear:**
- Taper leaf main, taper leaf helper spring.
  - Double acting hydraulic shock absorbers.

#### BRAKES

- Auto adjusting front and rear disc brakes with dual circuit hydraulic control, vacuum assistance and electronic brake force distribution (EBD).
- ABS, ASR traction control, IESC stability control.
- Front disc diameter: 293 mm
- Rear disc diameter: 275 mm
- 190 mm diameter drum park brake mounted on rear of transmission.
- Vacuum controlled exhaust brake.

#### STEERING

- Power assisted rack and pinion.
- Turns lock to lock: 4.2
- Maximum angle: 38° (inside wheel) / 34.75° (outside wheel)



#### WHEELS AND TYRES

- 16 x 5.5J five stud steel wheels.
- 195/75R16C 107/105R Michelin Agilis Tubeless.
- Maximum tyre rating:
  - Steer axle: 1,950 kg
  - Drive axle: 3,700 kg
- 1 frame mounted spare wheel and tyre assembly.

#### CHASSIS FRAME

- Cold rivetted ladder frame. SAPH440 weldable steel sidemembers.
- Frame dimensions:
  - Side rail (mm): 180 x 65 x 4.0
  - Rear frame width (mm): 700

#### FUEL TANK

- Frame mounted 75L steel fuel tank.
- Lockable fuel cap.

#### ELECTRICAL SYSTEM

- 24 volt electrical system.
- 90 amp alternator.
- 4.0 kW starter motor.
- 2 x 80D26L (630 CCA) batteries connected in series.

## CABIN SPECIFICATIONS AND APPOINTMENTS

### CAB EXTERIOR

- All steel construction. High tensile steel used for cab underframe. Manual cab tilt to 45° with torsion bar assistance.
- Complies with ECE-R29 cab strength standard.
- Heavy duty non slip entry steps.
- 90° opening internally reinforced front doors.
- Water spray suppression guards and front mudflaps.
- Laminated windscreen with shade band.
- Two speed windscreen wipers with intermittent wipe mode.
- Halogen multi-reflector headlamps incorporating turn signals. Additional door mounted integrated side indicator/cornering lamps.
- Combination brake, turn, reverse and marker lamps, registration plate illumination lamps. Reverse alarm.
- Heated and powered exterior main mirrors with flat glass and additional independently adjustable convex “spot” mirrors.
- Body coloured grille.
- Body coloured impact resisting polycarbonate bumper with steel backing frame.

### CAB INTERIOR

- Contoured adjustable driver's bucket seat.
- Front passenger bench seat with 2 seat capacity.
- 3-point lap sash seatbelts in all outboard seating positions. Driver and outboard front passenger seatbelts fitted with pretensioner. Centre seat lap belts.
- Driver and outboard front passenger airbag.
- Driver's footrest.
- Door and roof pillar entry assist grips.
- Full interior trim, padded roof lining and vinyl floor covering. Driver and passenger windscreen header storage shelf.
- Tilt/Telescopic adjustable steering column, soft feel urethane steering wheel.
- Electric windows.
- Central locking with remote keyless entry and immobiliser.
- Twin cup holders. 24V cigarette lighter. Dashboard hook.
- Front door mounted storage pockets and driver's side ashtray.
- Fully integrated air conditioning and heater/demister with 4-speed fan and outlets for windscreen, side windows, face and floor.
- Fluorescent type interior lamp with On/Door/Off switch.
- 2 DIN, two speaker multimedia unit with 6.2" LCD capacitive touch screen. 1.6GHz processor with Android operating system. DAB+ digital radio and fully integrated Bluetooth with voice recognition. Inbuilt PDF, photo and movie viewer. Internet radio accessible via smartphone. 32GB internal file storage. USB and auxiliary input connection provisions. Firmware and map updates possible via smartphone.
- DIN sized compartment for storage or for CB radio installation.

### DRIVER CONTROLS

- Key-operated engine start/stop and steering lock. Engine idle speed control.
- Hill Assist slow/fast engagement control and on/off switch - except with AMT.
- ASR and IESC on/off.
- DPD regeneration.
- AMT slow/fast gear engagement control, 1st gear start and normal/economy gear selection modes.
- Gear selection control with P-R-N-D and sequential shift positions.
- **Left side combination stalk:** Windscreen wipers, washers and exhaust brake.
- **Right side combination stalk:** Turn signals, headlamps, cruise control.
- Rear body storage compartment lighting on/off switch.

### INSTRUMENTATION

- Electronically driven speedometer and tachometer. Digital odometer with integrated dual tripmeter. Engine coolant temperature and fuel level gauges.
- **Warning lamps:** Check engine, oil pressure, ABS, SRS airbag, alternator charge, service brakes, park brake, seat belt unfastened, low fuel level, check AMT.
- **Indicator lamps:** Warm up system, high beam, ASR, IESC, DPD status, exhaust brake, turn signals, cruise control, econo-mode, 1st gear start.
- Gear selection display.
- **Multi information display:** Shows service interval, instantaneous and average fuel consumption, DPD bar chart, hourmeter, voltmeter, time/day/date and includes 40-120km/h adjustable vehicle speed warning.

### OPTIONS AND GENUINE ACCESSORIES

Include the following (extra cost, request a brochure and further details from your Isuzu dealer):

#### Multimedia unit:

- Isuzu satellite navigation including 3 years of free updates.
- Supports up to five camera inputs. One digital camera with infra red and rear microphone input active when reversing, Four analogue cameras.
- Reversing sensors.
- Tyre pressure monitoring system.

#### Other:

- Airbag compatible bullbar.

## ISUZU CARE

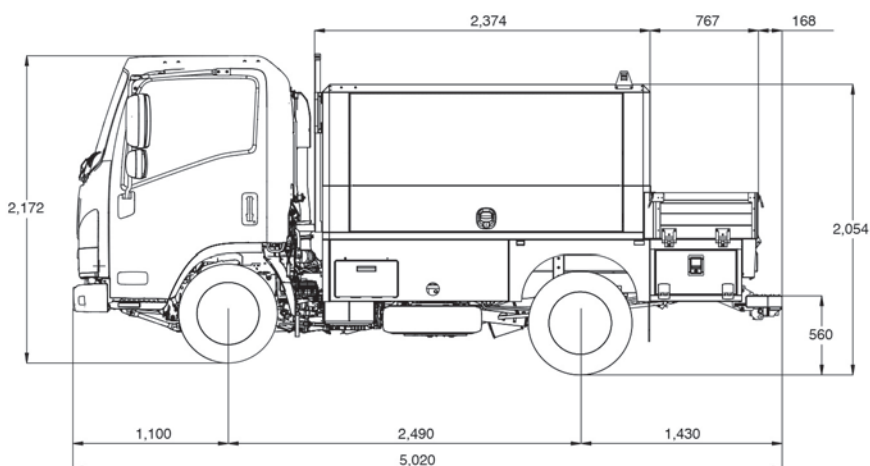
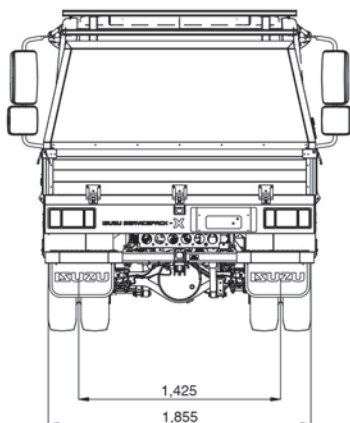
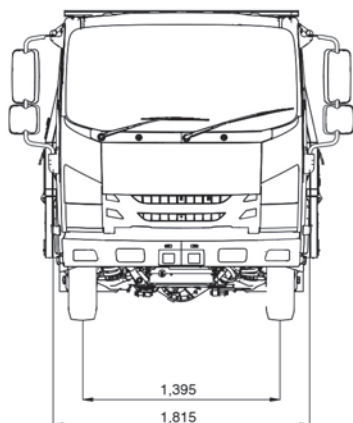
Isuzu Care gives truck owners access to products and services including Roadside Assist, Service Agreements, Extended Care, Extended Isuzu Assist and the Isuzu Care Centre. Call 1800 035 640.

### WEIGHTS (kg)

Models	Ratings*		Loading Limit* (at ground)		Weight #		
	GVM	GCM	Front	Rear	Front	Rear	Total
NLR 45-150 SWB AMT SERVICEPACK X	4,500	8,000	1,950	3,700	1,575	1,250	2,825

\* Vehicle ratings and axle weight limits are subject to government regulatory requirements and weight distribution analysis. Consult your Isuzu dealer to select the correct vehicle for your specific application.

# Vehicle as supplied and including 10 litres of fuel.



Turning Circle  
(kerb to kerb)

8.7 m

### PERFORMANCE (calculated - typical paved road)

		Geared Speed* (top gear at peak power engine RPM)	Low Speed Gradeability (lowest forward gear assuming no wheel slip)	Engine Speed (top gear at 100km/h)
NLR 45-150 AMT SERVICEPACK X	At 4,500 kg GVM	116 km/h @ 2,800 RPM	56%	2,425 RPM

\*Maximum speed achievable depends on vehicle frontal area as well as other factors. Consult your Isuzu dealer for more detailed information.

### ISUZU WARRANTIES

STANDARD <sup>1</sup>	
New Vehicle	3 years • 100,000km • 2,000 hours
Cab Perforation Corrosion	3 years • unlimited km
Isuzu Assist: 24 hour roadside assistance (3 years, unlimited km)*	
EXTENDED CARE <sup>2</sup>	
Extended Warranty: 5 years • 250,000km • 4,500 hours	
Isuzu Assist: 24 hour roadside assistance (5 years, unlimited km)	

### ORDER CODES

Model	Code
NLR 45-150 AMT SWB SERVICEPACK X	NH-NLRAA-Z18 (IALSP8)

<sup>1</sup> Subject to the conditions outlined in the IAL New Vehicle Warranty, the Isuzu NLR models carry a standard factory warranty which covers the owner: (i) for the entire vehicle, for the first 36 months or 100,000 km or 2,000 hrs (whichever comes first), (ii) against cab perforation corrosion, for 36 months and unlimited kilometres. <sup>2</sup> Extended Warranty as illustrated may be purchased to cover the owner against the failure of original components, but may exclude some components and expendable items such as oil, filters, etc. \*Valid for three years from the date of new vehicle purchases. All Isuzu warranties are subject to mandatory prescribed terms under Australian Consumer law including customer guarantees. For more details visit the Isuzu website which explains Isuzu warranties in more detail, or alternatively contact your local dealer. All warranties commence from date of delivery.

ISUZU AUSTRALIA LIMITED ABN 97 006 962 572 ("IAL"). The information in this spec sheet was correct at time of printing, but all measurements, specifications and equipment are subject to change without notice. Some equipment may have been changed and/or is available at extra cost. IAL may make changes at any time without notice, in prices, colours, materials, equipment and models. IAL makes all reasonable attempts to ensure the availability of all vehicles and equipment. The information in this spec sheet is general in nature. Your Isuzu dealer can confirm all measurements, specifications and vehicle / equipment availability upon request. To the extent permitted by the law, IAL is not liable to any person as result of reliance on the content of this spec sheet.