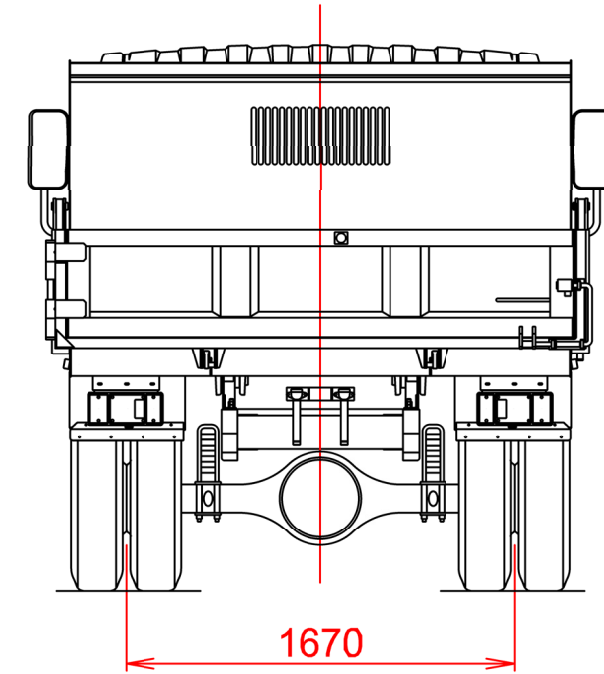
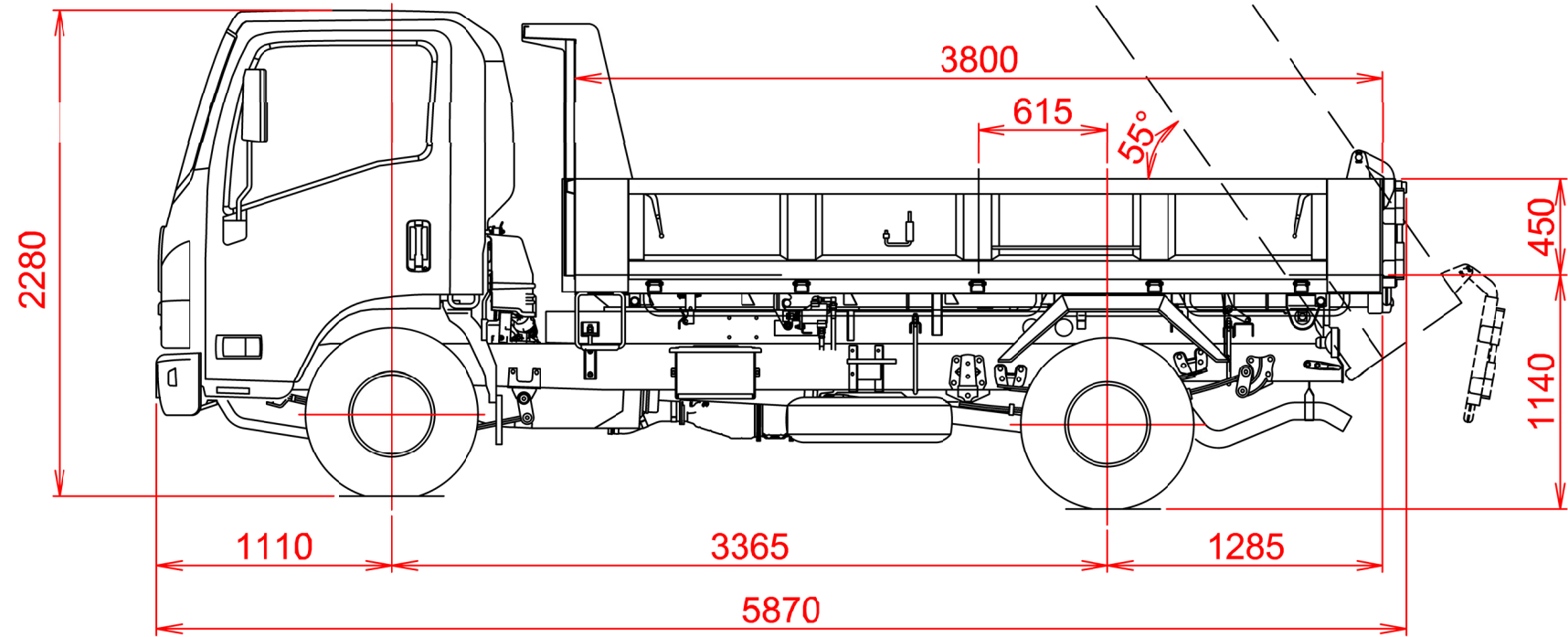
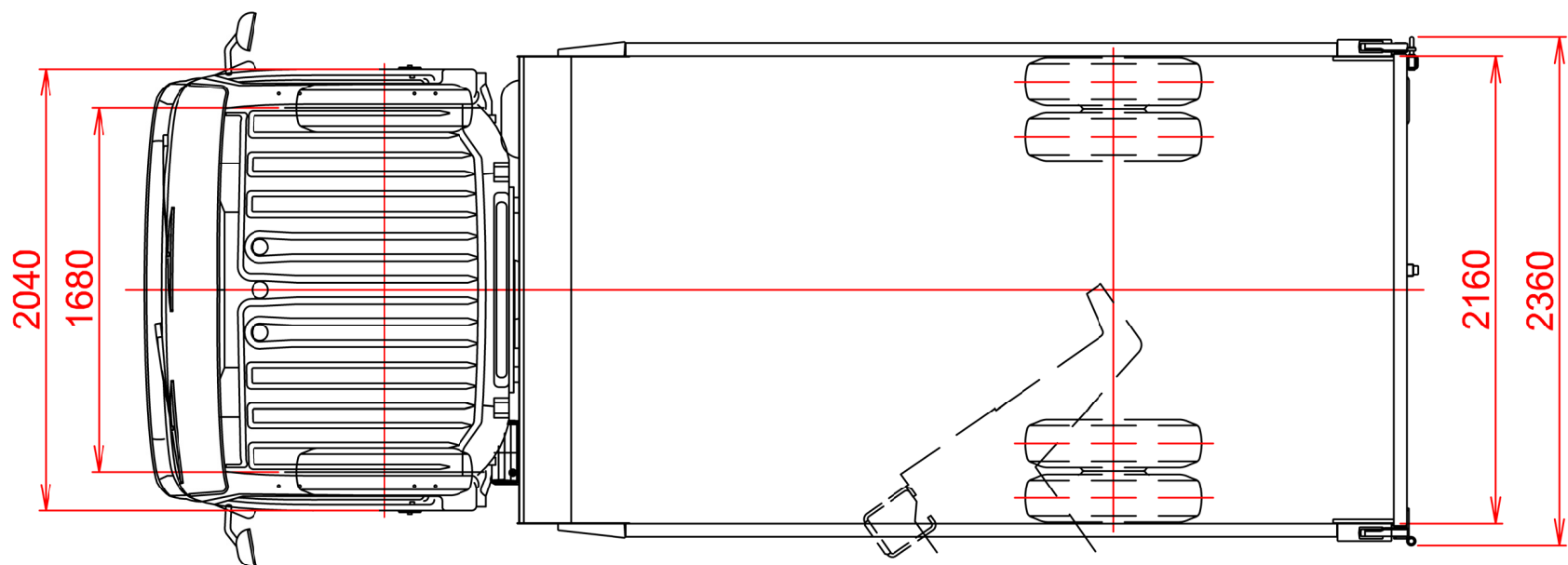


REVISION HISTORY

ZONE	REV	DESCRIPTION	DATE	APPROVED



BODY BUILDERS NOTES	
1.	DIMENSIONS ARE SHOWN FOR INDICATIVE PURPOSES ONLY
2.	REFER TO VEHICLE FOR ACTUAL MEASUREMENTS

UNLESS OTHERWISE SPECIFIED DIMENSIONS ARE IN MILLIMETERS.
TOLERANCES ARE:
DECIMALS ANGLES
.X +/- 0.8 +/- 2 DEGREES
.XX +/- 0.25
DO NOT SCALE DRAWING
THIRD ANGLE PROJECTION

CONTRACT NO.	
APPROVALS	DATE
DRAWN N SALLEN	04/09/15
CHECKED S HUMPHRIES	04/09/15
ENGR N SALLEN	04/09/15
DESIGN ACTIVITY	BBG

ISUZU
ISUZU AUSTRALIA LIMITED

TITLE
MY15.5 NQR 87/80-190 TIPPER

SIZE A3	CAGE CODE N/A	DWG NO. NH-MY15.5-NQR 87/80-190 TIPPER	REV. A
------------	------------------	---	------------------

SCALE NOT TO SCALE CALC.WT ACT.WT SHEET 1 OF 1