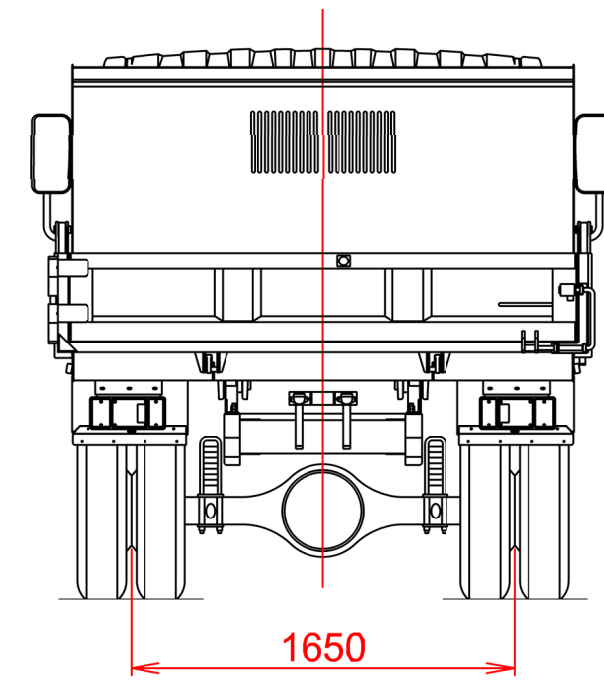
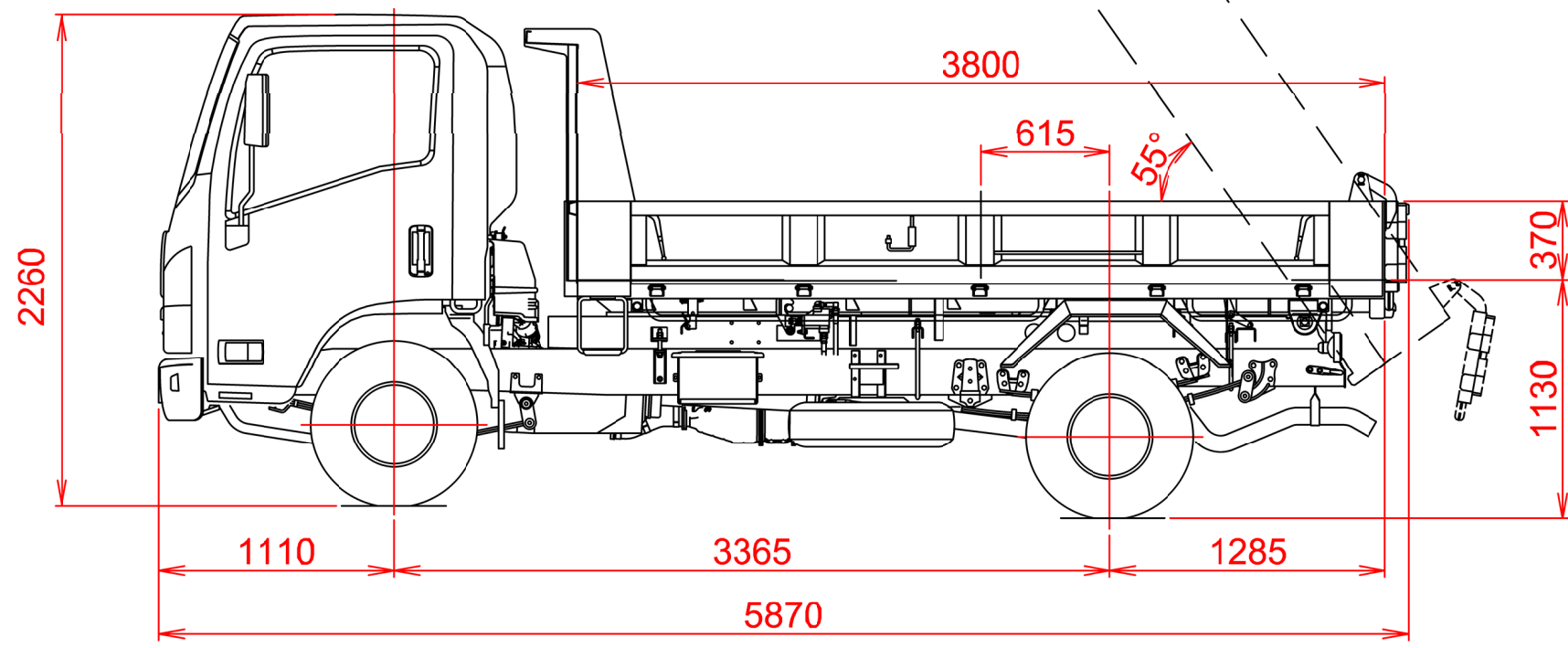
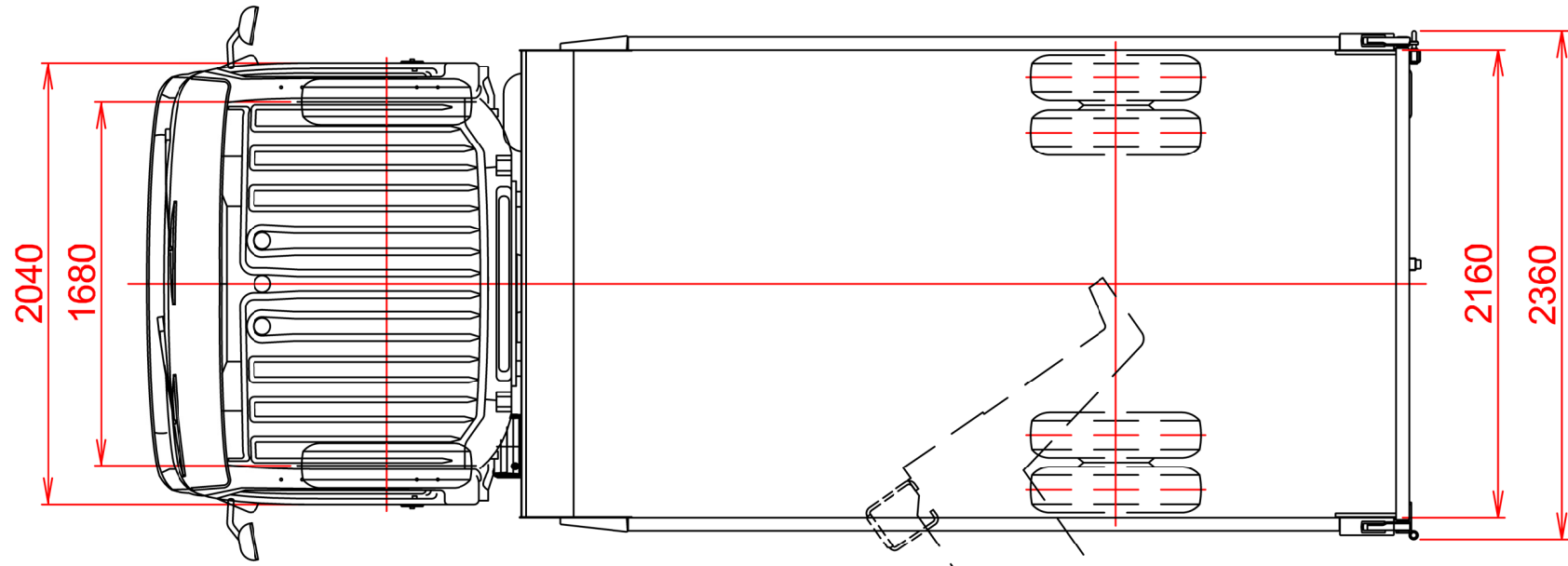


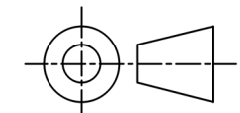
REVISION HISTORY

ZONE	REV	DESCRIPTION	DATE	APPROVED



BODY BUILDERS NOTES	
1.	DIMENSIONS ARE SHOWN FOR INDICATIVE PURPOSES ONLY
2.	REFER TO VEHICLE FOR ACTUAL MEASUREMENTS

UNLESS OTHERWISE SPECIFIED DIMENSIONS ARE IN MILLIMETERS.  
TOLERANCES ARE:  
DECIMALS ANGLES  
.X +/- 0.8 +/- 2 DEGREES  
.XX +/- 0.25  
DO NOT SCALE DRAWING  
THIRD ANGLE PROJECTION



CONTRACT NO.	
APPROVALS	DATE
DRAWN N SALLEN	04/09/15
CHECKED S HUMPHRIES	04/09/15
ENGR N SALLEN	04/09/15
DESIGN ACTIVITY	BBG

**ISUZU**  
ISUZU AUSTRALIA LIMITED

TITLE  
**MY15.5 NPR 75-190 TIPPER**

SIZE A3	CAGE CODE N/A	DWG NO. NH-MY15.5-NPR75-190 TIPPER	REV. <b>A</b>
------------	------------------	---------------------------------------	------------------

SCALE NOT TO SCALE      CALC.WT      ACT.WT      SHEET 1 OF 1