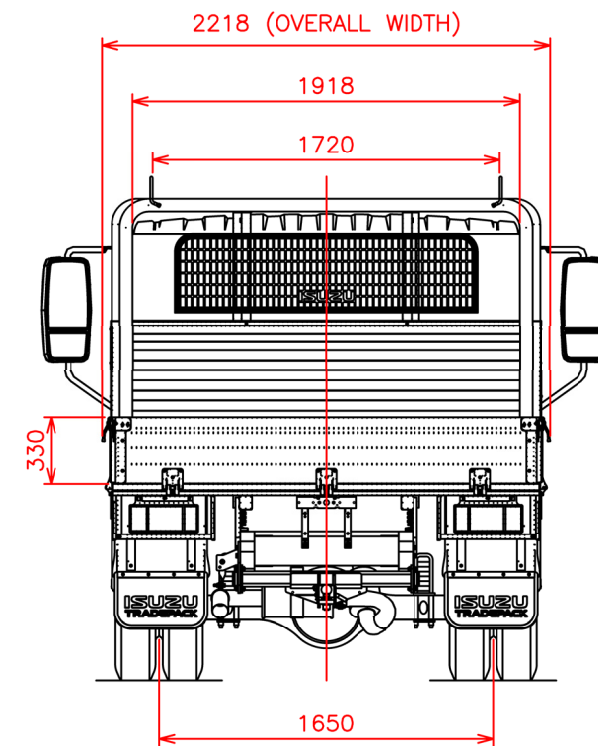
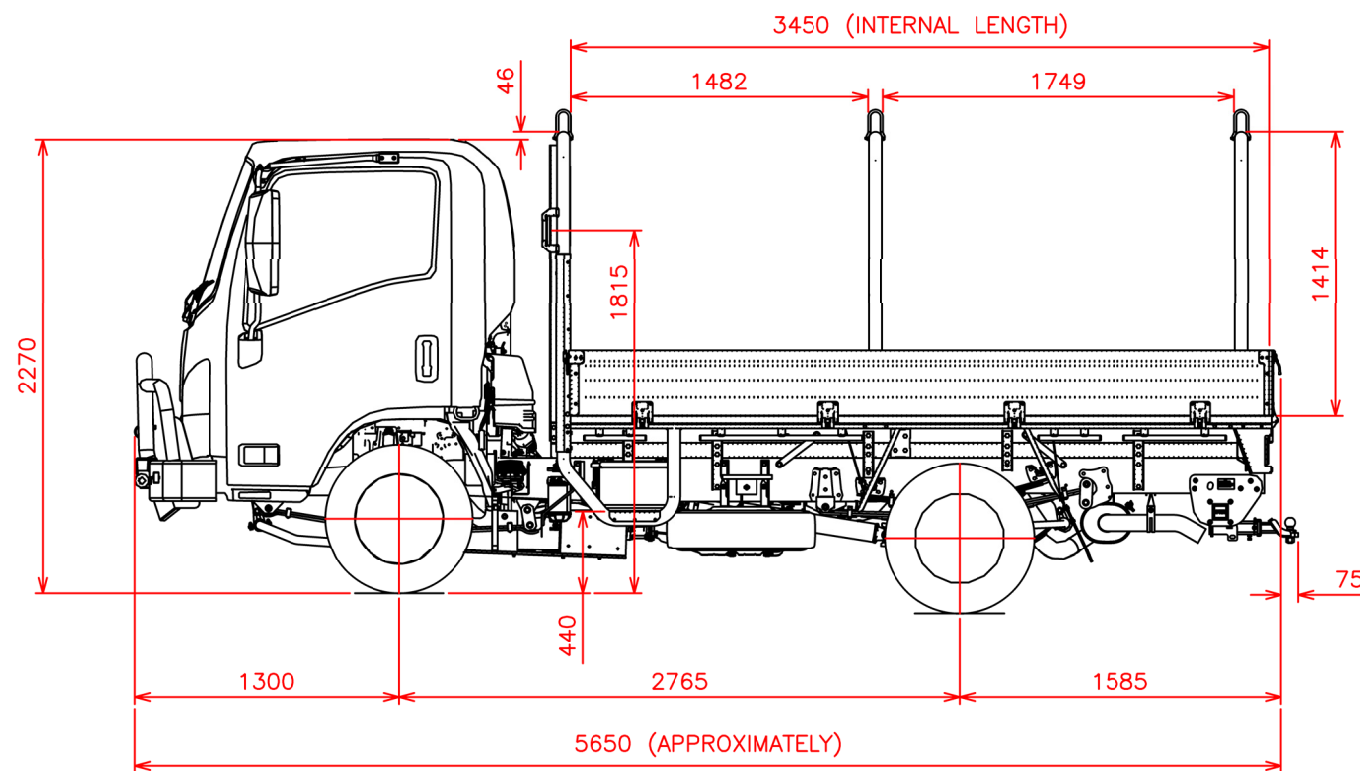
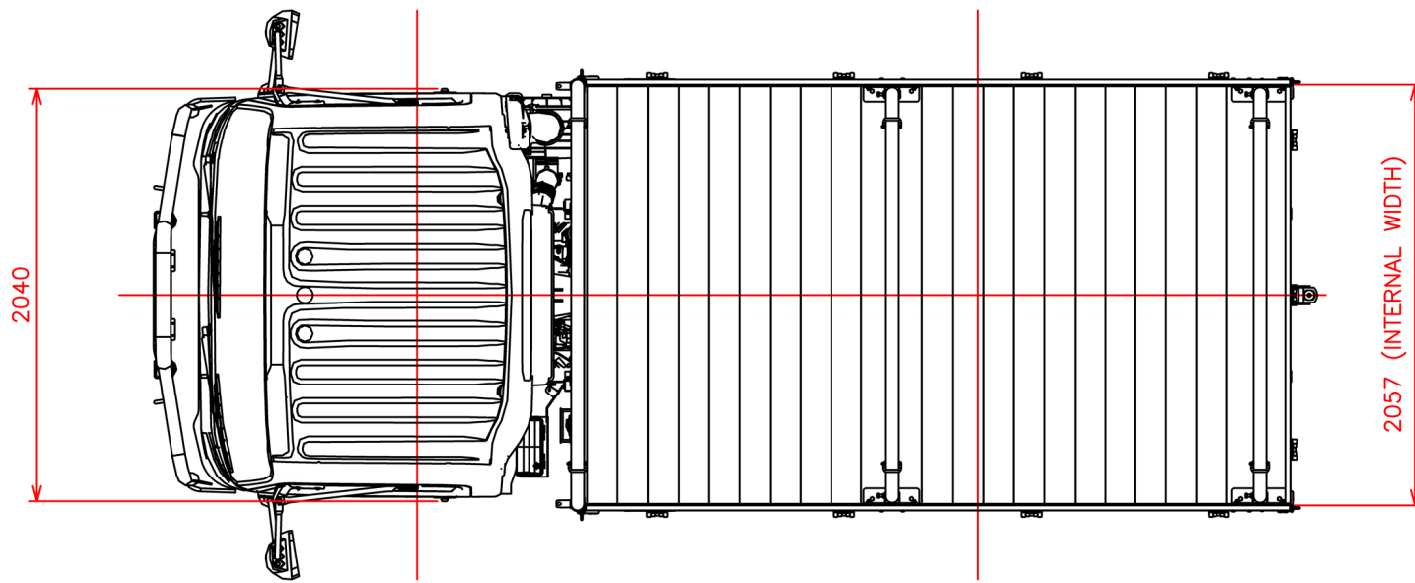


REVISION HISTORY				
ZONE	REV	DESCRIPTION	DATE	APPROVED



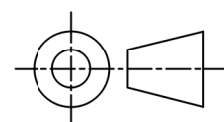
## BODY BUILDERS NOTES

- DIMENSIONS ARE SHOWN FOR INDICATIVE PURPOSES ONLY
- REFER TO THE ACTUAL VEHICLE FOR MEASUREMENTS

UNLESS OTHERWISE SPECIFIED  
DIMENSIONS ARE IN MILLIMETERS.  
TOLERANCES ARE:

DECIMALS ANGLES  
.X +/- 0.8 +/- 2 DEGREES  
.XX +/- 0.25

DO NOT SCALE DRAWING  
THIRD ANGLE PROJECTION



CONTRACT NO.

APPROVALS DATE

DRAWN **N SALLEN** 27/08/15

CHECKED **S HUMPHRIES** 27/08/15

ENGR **N SALLEN** 27/08/15

DESIGN ACTIVITY **BBG**

**ISUZU**  
ISUZU AUSTRALIA LIMITED

TITLE

**MY15.5 NPR 45/55-155 SWB TRADEPACK**

SIZE CAGE CODE DWG NO.

A3

**N/A**

**NH-MY15.5-NPR 45/55-155 SWB TRADEPACK**

REV.

**A**

SCALE NOT TO SCALE

CALC.WT

ACT.WT

SHEET

1 OF 1