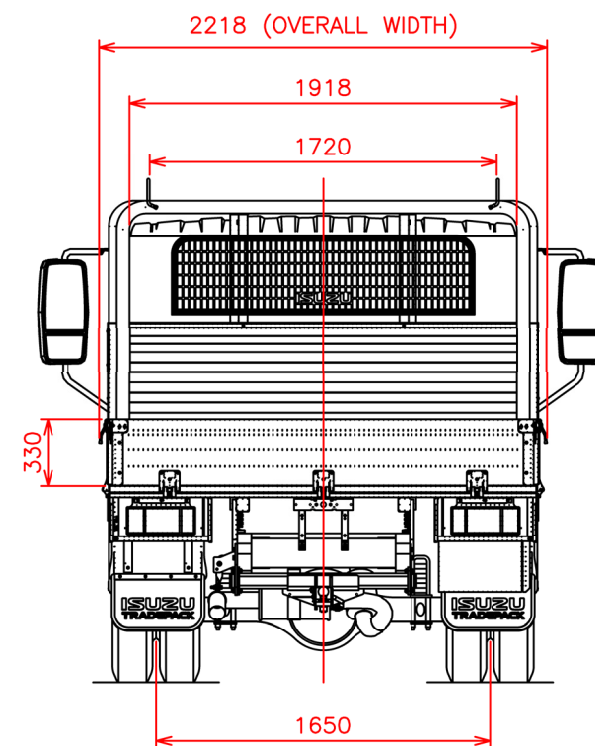
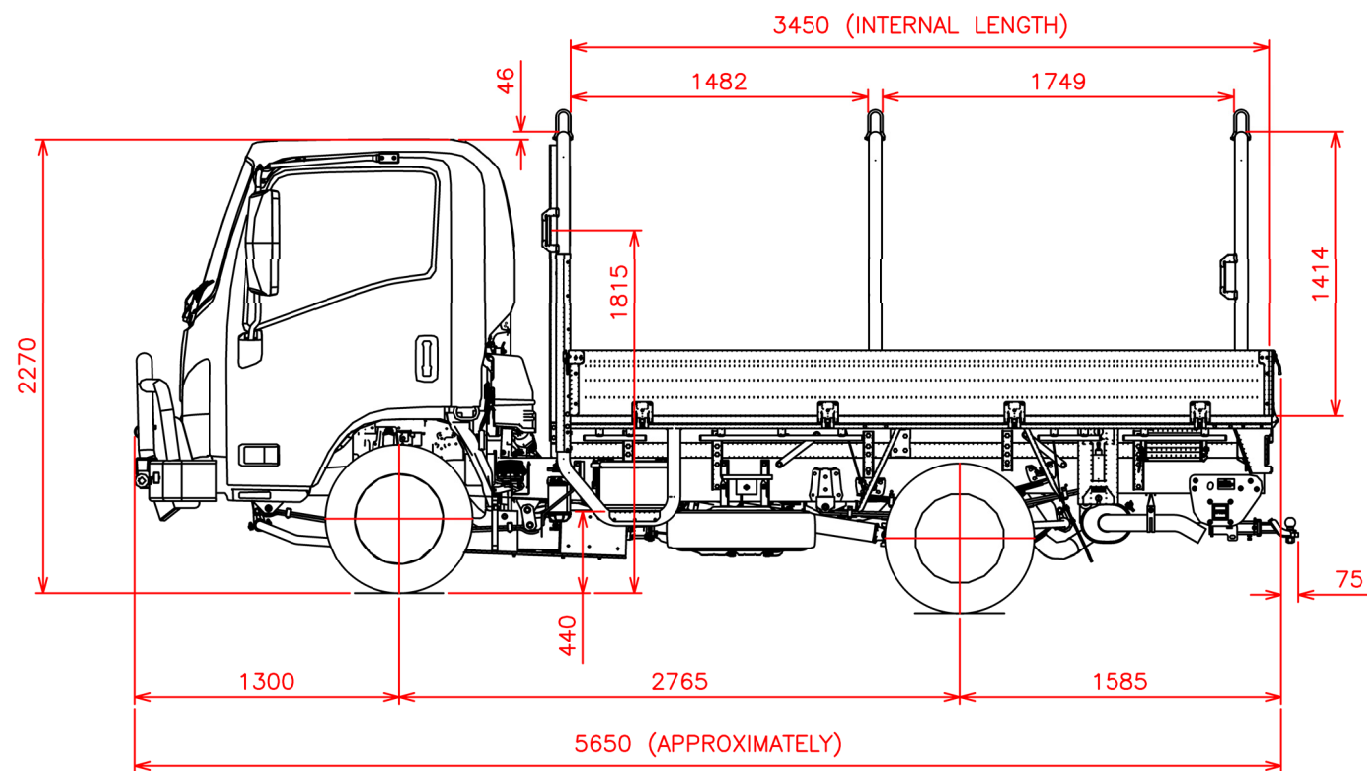
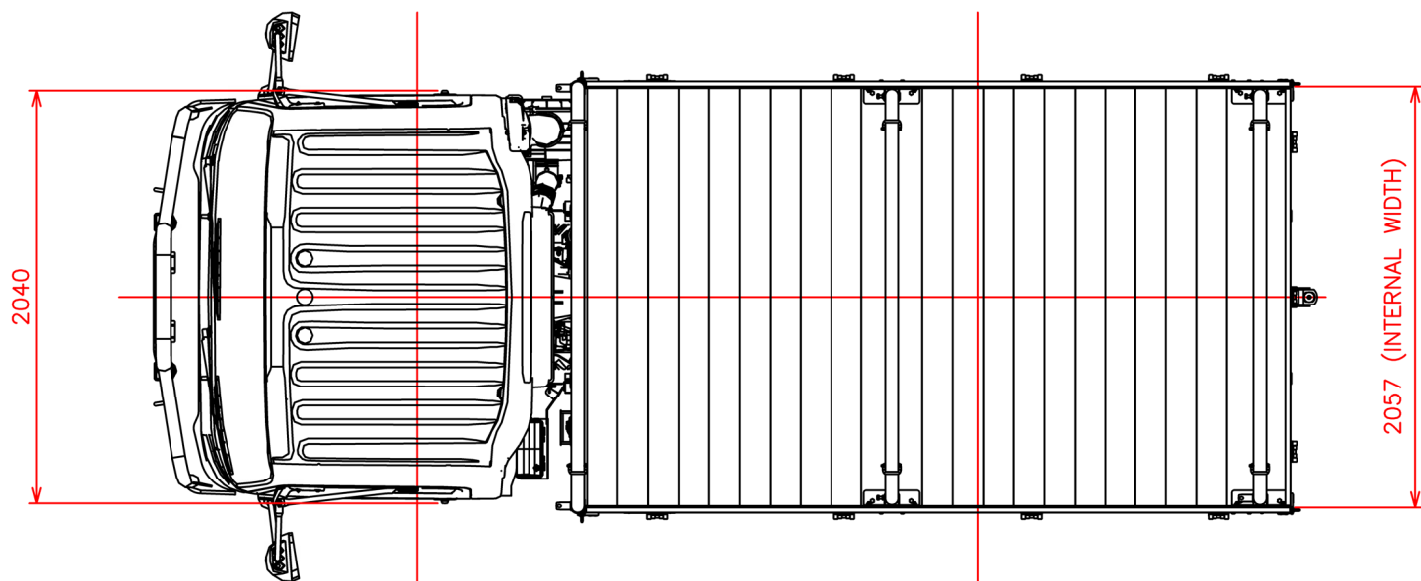


REVISION HISTORY				
ZONE	REV	DESCRIPTION	DATE	APPROVED



## BODY BUILDERS NOTES

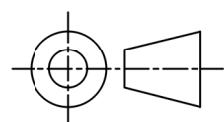
- DIMENSIONS ARE SHOWN FOR INDICATIVE PURPOSES ONLY
- REFER TO THE ACTUAL VEHICLE FOR MEASUREMENTS

UNLESS OTHERWISE SPECIFIED  
DIMENSIONS ARE IN MILLIMETERS.  
TOLERANCES ARE:

DECIMALS ANGLES  
.X +/- 0.8 +/- 2 DEGREES  
.XX +/- 0.25

DO NOT SCALE DRAWING

THIRD ANGLE PROJECTION



CONTRACT NO.

APPROVALS	DATE
DRAWN <b>N SALLEN</b>	28/08/15
CHECKED <b>S HUMPHRIES</b>	28/08/15

ENGR <b>N SALLEN</b>	28/08/15
DESIGN ACTIVITY	<b>BBG</b>

**ISUZU**  
ISUZU AUSTRALIA LIMITED

TITLE  
**MY15.5 NPR 45/55-155 SWB  
PREMIUM TRADE PACK**

SIZE A3	CAGE CODE <b>N/A</b>	DWG NO. NH-MY15.5-NPR 45/55-155 SWB PREMIUM TRADE PACK	REV. <b>A</b>
------------	-------------------------	--	------------------

SCALE NOT TO SCALE      CALC.WT      ACT.WT      SHEET 1 OF 1