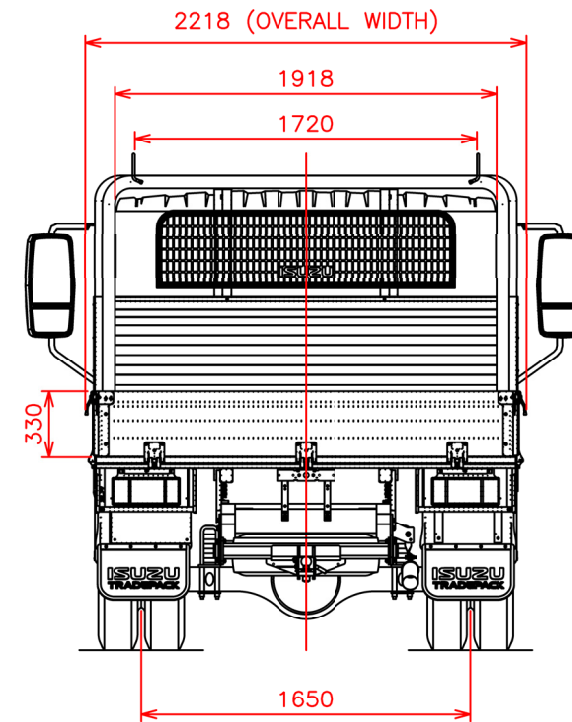
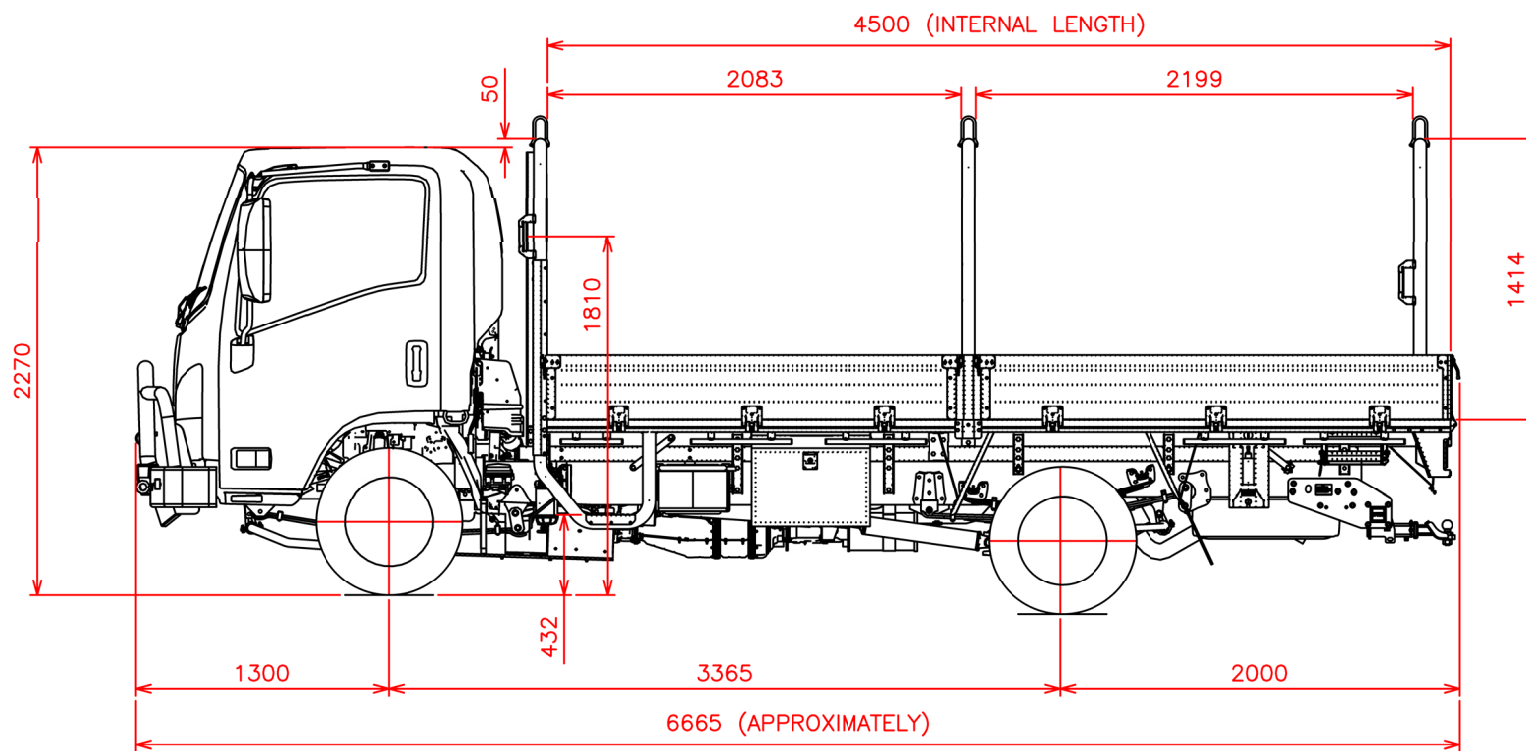
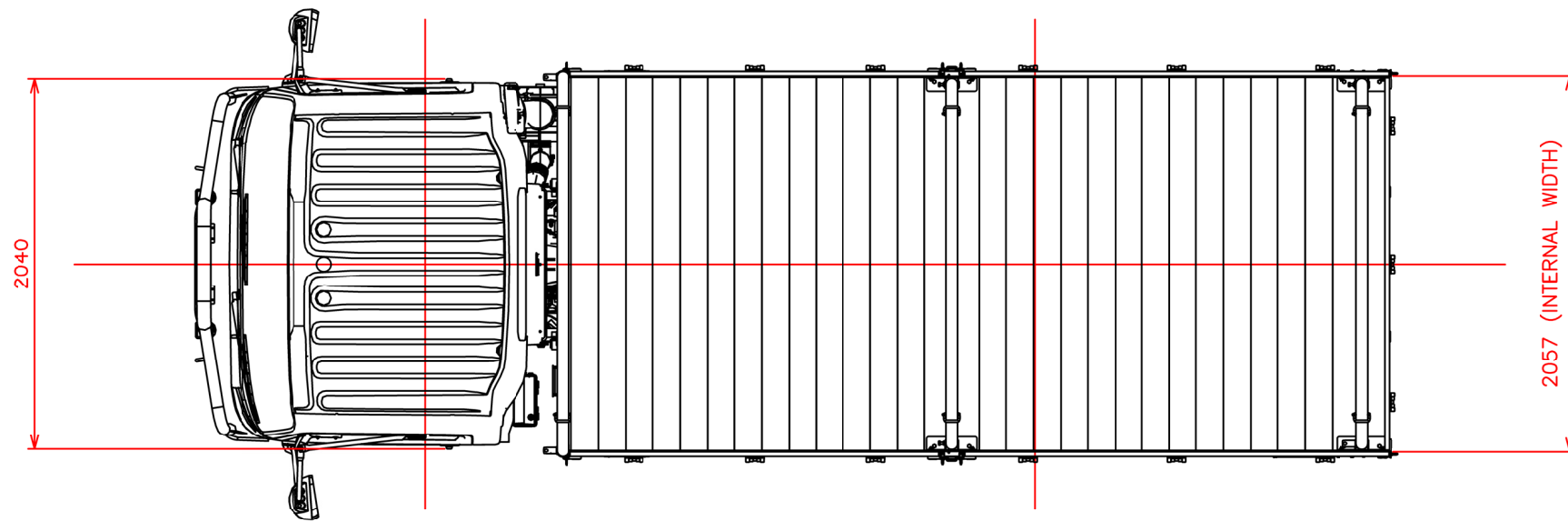


REVISION HISTORY				
ZONE	REV	DESCRIPTION	DATE	APPROVED



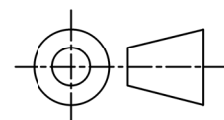
BODY BUILDERS NOTES

- DIMENSIONS ARE SHOWN FOR INDICATIVE PURPOSES ONLY
- REFER TO THE ACTUAL VEHICLE FOR MEASUREMENTS

UNLESS OTHERWISE SPECIFIED
DIMENSIONS ARE IN MILLIMETERS.
TOLERANCES ARE:

DECIMALS ANGLES
.X +/- 0.8 +/- 2 DEGREES
.XX +/- 0.25

DO NOT SCALE DRAWING
THIRD ANGLE PROJECTION



CONTRACT NO.

APPROVALS DATE

DRAWN **N SALLEEN** 03/09/15

CHECKED **S HUMPHRIES** 03/09/15

ENGR **N SALLEEN** 03/09/15

DESIGN ACTIVITY **BBG**

ISUZU
ISUZU AUSTRALIA LIMITED

TITLE

**MY15.5 NPR 45/55-155 MWB
PREMIUM TRADEPACK**

SIZE

A3

CAGE CODE

N/A

DWG NO.

NH-MY15.5-NPR 45/55-155 MWB
PREMIUM TRADEPACK

REV.

A

SCALE NOT TO SCALE

CALC.WT

ACT.WT

SHEET 1 OF 1