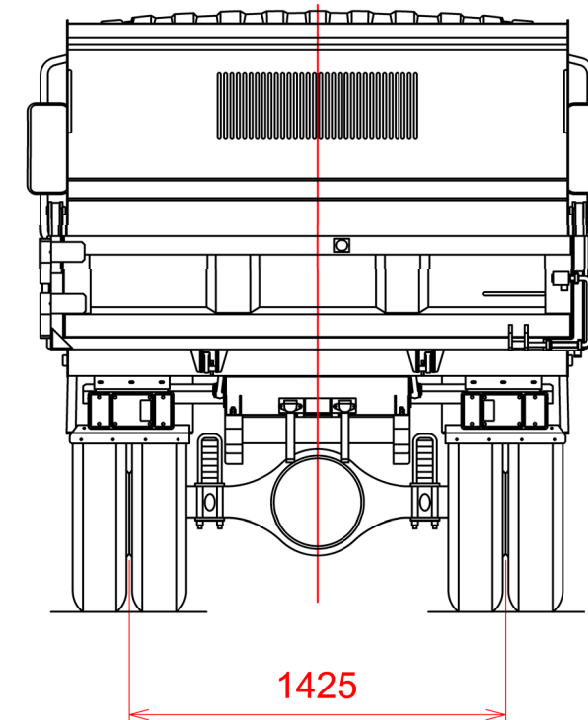
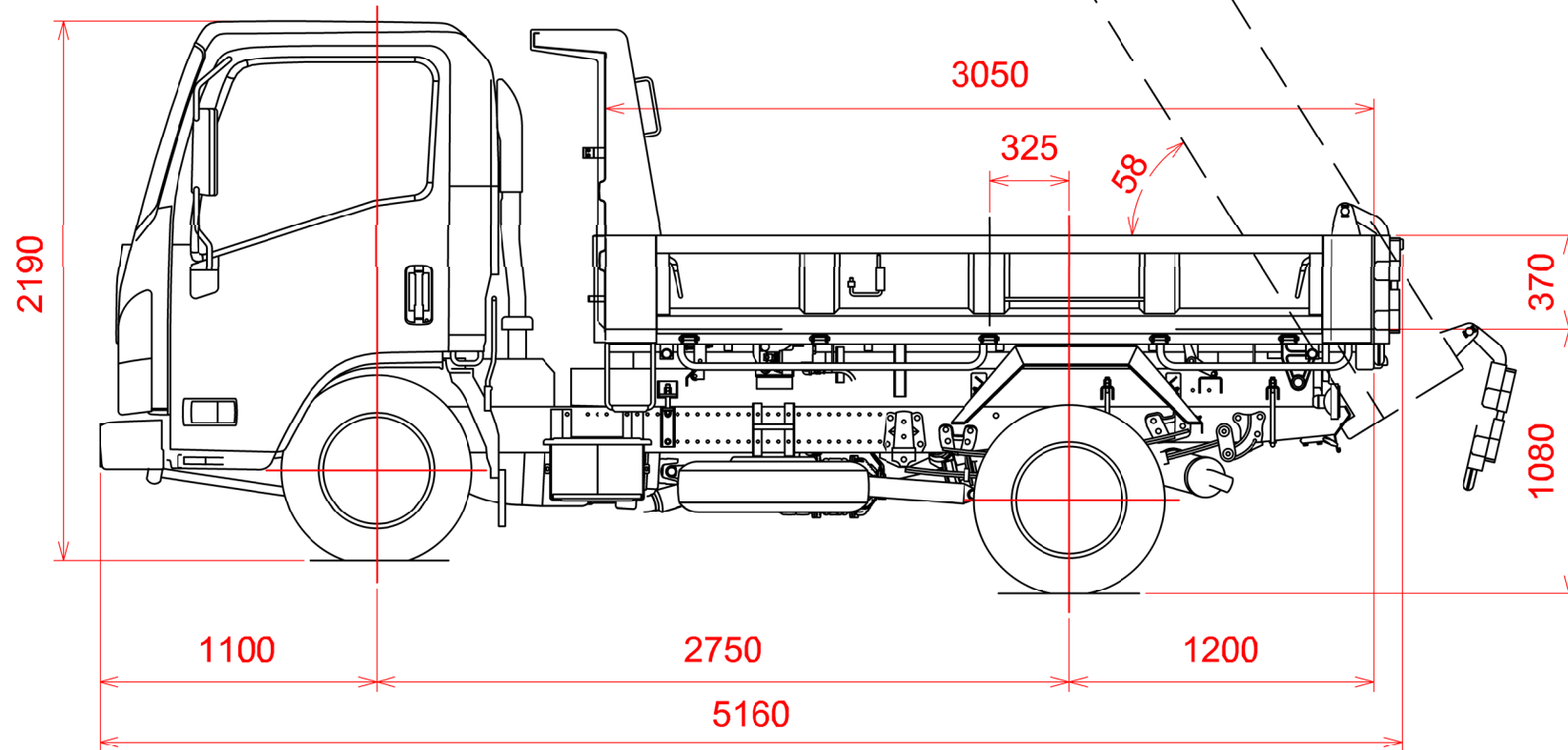
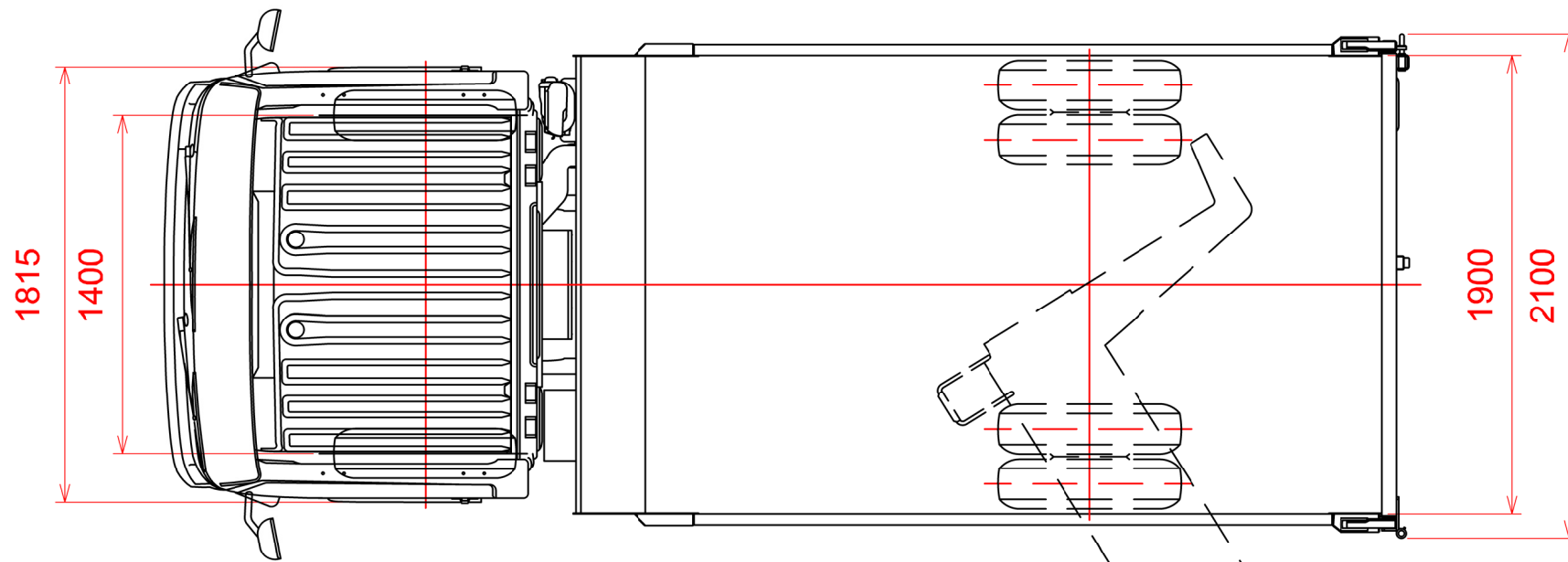
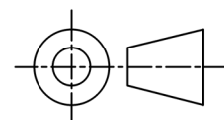


| REVISION HISTORY |     |             |      |          |
|------------------|-----|-------------|------|----------|
| ZONE             | REV | DESCRIPTION | DATE | APPROVED |
|                  |     |             |      |          |



| BODY BUILDERS NOTES |   |
|---------------------|---|
| 1.                  | DIMENSIONS ARE SHOWN FOR INDICATIVE PURPOSES ONLY |
| 2.                  | REFER TO VEHICLE FOR ACTUAL MEASUREMENTS          |

UNLESS OTHERWISE SPECIFIED  
DIMENSIONS ARE IN MILLIMETERS.  
TOLERANCES ARE:  
DECIMALS ANGLES  
.X +/- 0.8 +/- 2 DEGREES  
.XX +/- 0.25  
DO NOT SCALE DRAWING  
THIRD ANGLE PROJECTION



|                     |          |
|---------------------|----------|
| CONTRACT NO.        |          |
| APPROVALS           | DATE     |
| DRAWN N SALLEN      | 04/09/15 |
| CHECKED S HUMPHRIES | 04/09/15 |
| ENGR N SALLEN       | 04/09/15 |
| DESIGN ACTIVITY     | BBG      |

**ISUZU**  
ISUZU AUSTRALIA LIMITED

TITLE  
**MY15.5 NLS 45-150 TIPPER**

|            |                  |  |                  |
|------------|------------------|--|------------------|
| SIZE<br>A3 | CAGE CODE<br>N/A | DWG NO.<br>NH-MY15.5-NLS 45-150 TIPPER | REV.<br><b>A</b> |
|------------|------------------|--|------------------|