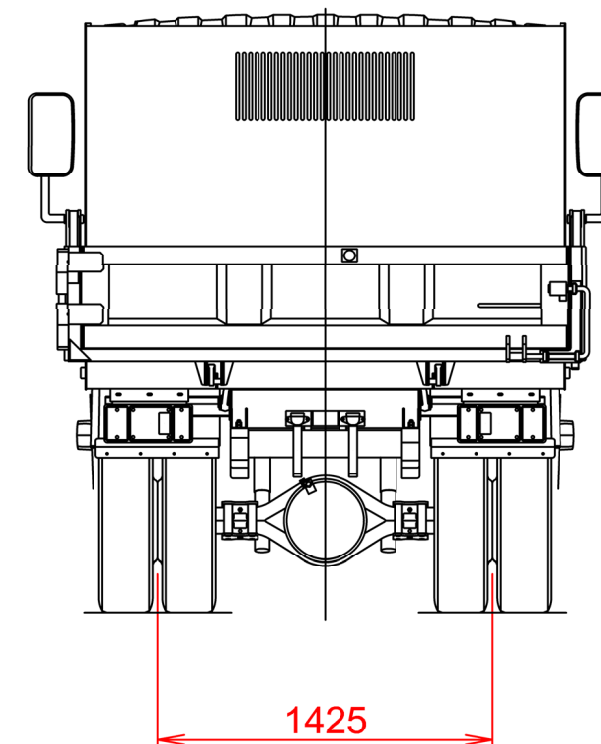
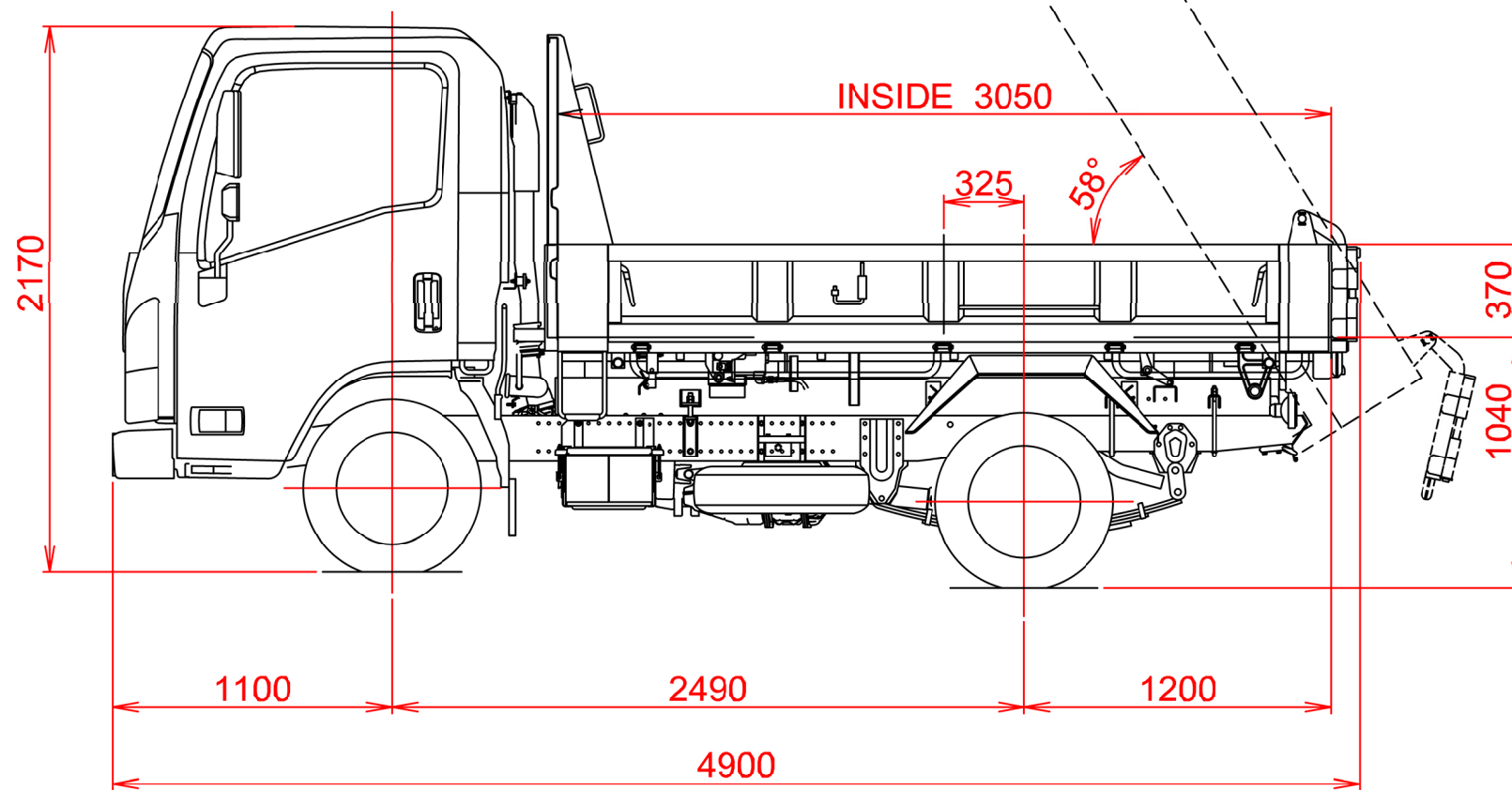
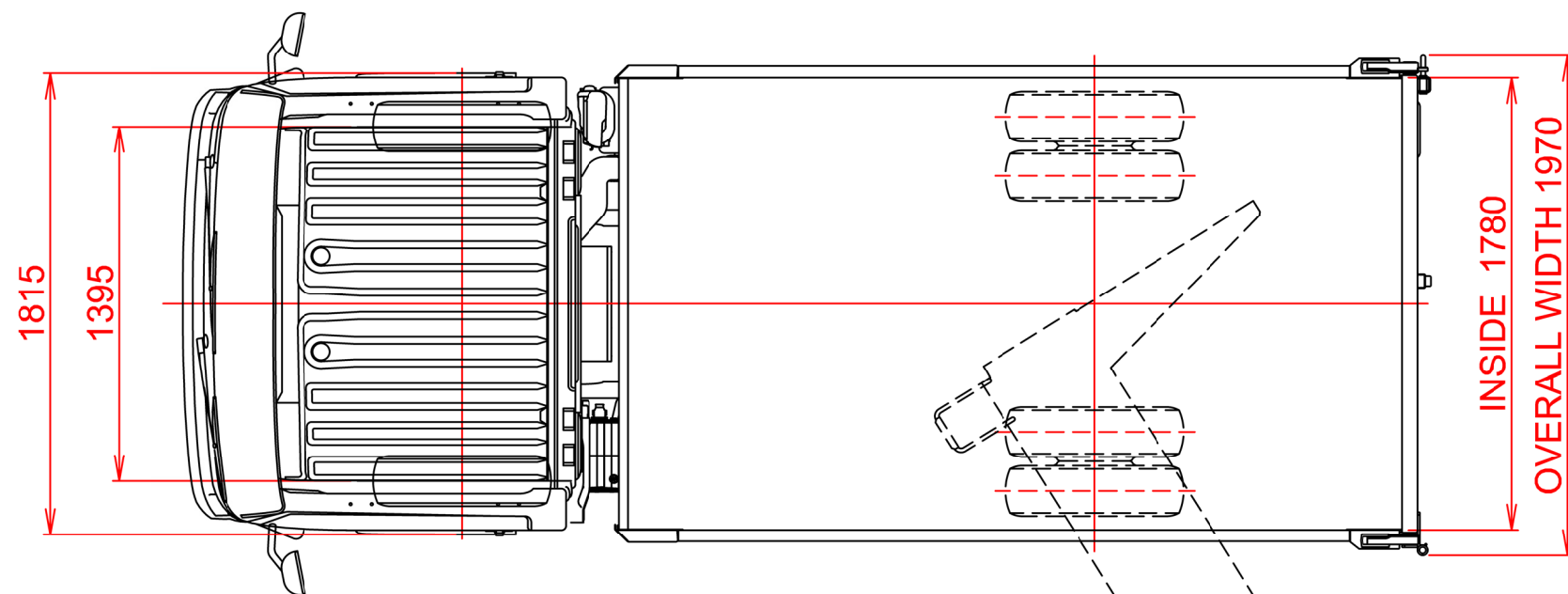
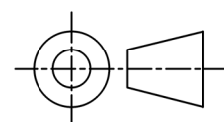


REVISION HISTORY				
ZONE	REV	DESCRIPTION	DATE	APPROVED



BODY BUILDERS NOTES	
1.	DIMENSIONS ARE SHOWN FOR INDICATIVE PURPOSES ONLY
2.	REFER TO ACTUAL VEHICLE FOR MEASUREMENTS

UNLESS OTHERWISE SPECIFIED
DIMENSIONS ARE IN MILLIMETERS.
TOLERANCES ARE:
DECIMALS ANGLES
.X +/- 0.8 +/- 2 DEGREES
.XX +/- 0.25
DO NOT SCALE DRAWING
THIRD ANGLE PROJECTION



CONTRACT NO.	
APPROVALS	DATE
DRAWN N SALLEN	04/09/15
CHECKED S HUMPHRIES	04/09/15
ENGR N SALLEN	04/09/15
DESIGN ACTIVITY	BBG

ISUZU ISUZU AUSTRALIA LIMITED	
TITLE MY15.5 NLR 55/45-150 TIPPER	
SIZE A3	CAGE CODE N/A
DWG NO. NH-MY15.5-NLR 55/45-150 TIPPER	REV. A
SCALE NOT TO SCALE	CALC.WT ACT.WT SHEET 1 OF 1