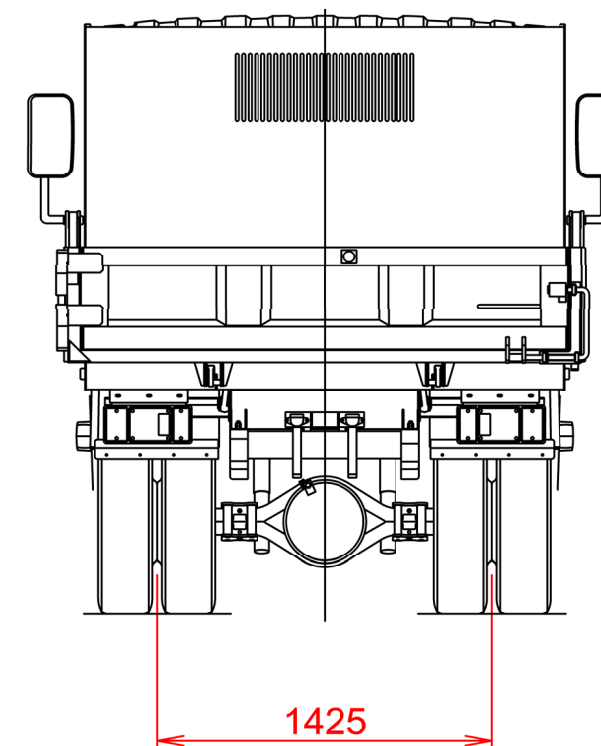
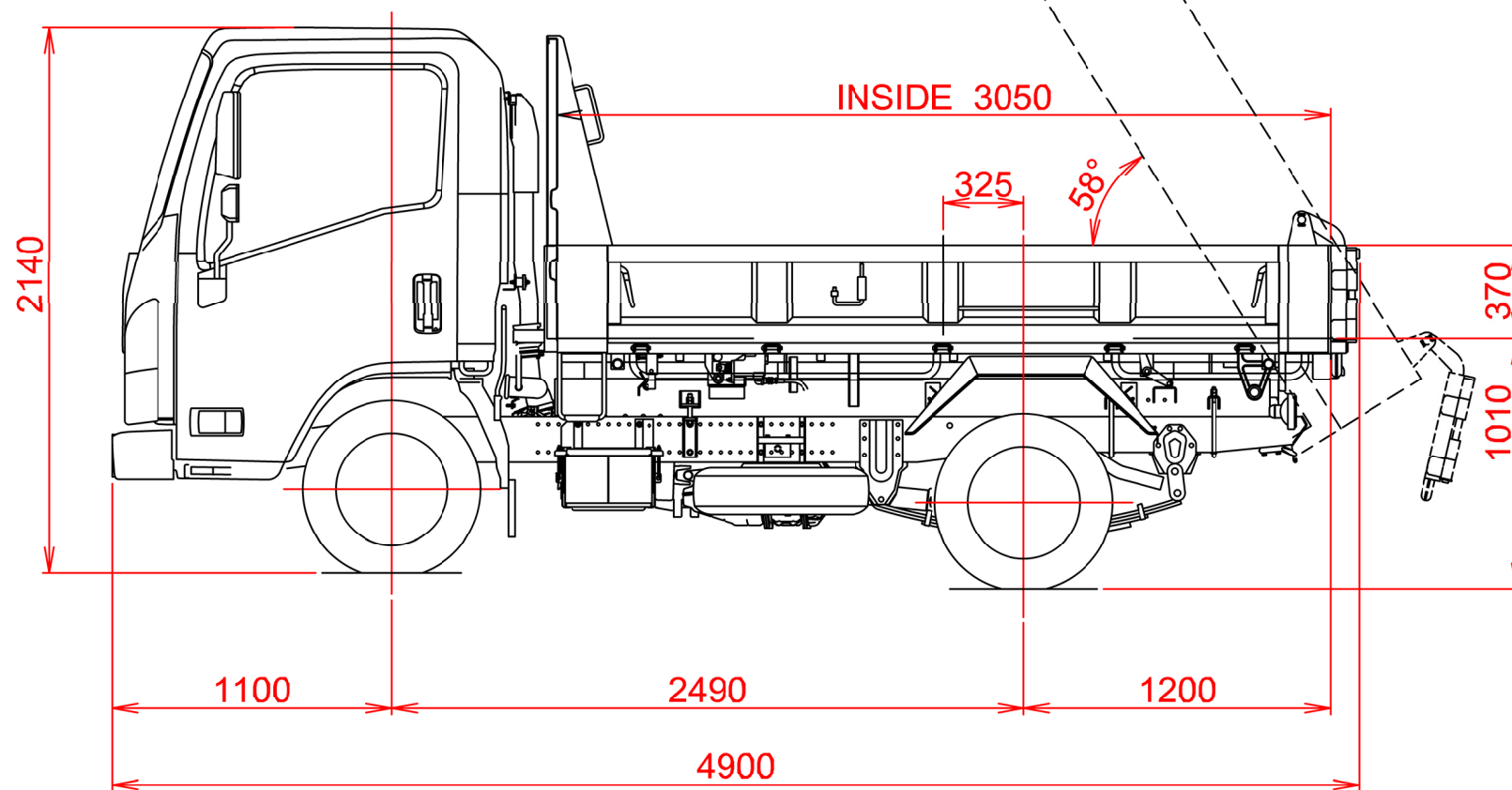
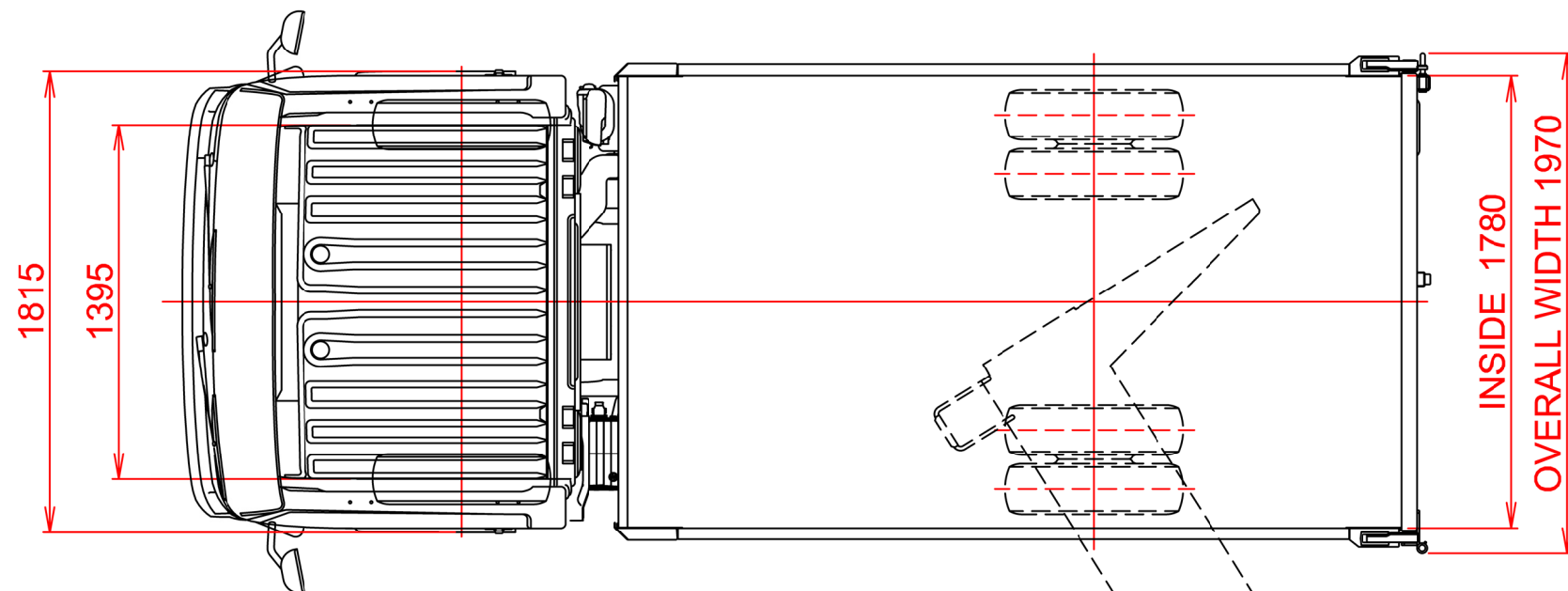
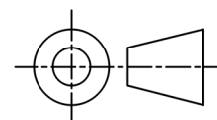


REVISION HISTORY				
ZONE	REV	DESCRIPTION	DATE	APPROVED



BODY BUILDERS NOTES	
1.	DIMENSIONS ARE SHOWN FOR INDICATIVE PURPOSES ONLY
2.	REFER TO ACTUAL VEHICLE FOR MEASUREMENTS

UNLESS OTHERWISE SPECIFIED
DIMENSIONS ARE IN MILLIMETERS.
TOLERANCES ARE:
DECIMALS ANGLES
.X +/- 0.8 +/- 2 DEGREES
.XX +/- 0.25
DO NOT SCALE DRAWING
THIRD ANGLE PROJECTION



CONTRACT NO.	
APPROVALS	DATE
DRAWN N SALLEEN	04/09/15
CHECKED S HUMPHRIES	04/09/15
ENGR N SALLEEN	04/09/15
DESIGN ACTIVITY	BBG

ISUZU		ISUZU AUSTRALIA LIMITED	
TITLE			
MY15.5 NLR 45-150 TIPPER			
SIZE	CAGE CODE	DWG NO.	REV.
A3	N/A	NH-MY15.5-NLR 45-150 TIPPER	A
SCALE	NOT TO SCALE	CALC.WT	ACT.WT
SHEET		1 OF 1	