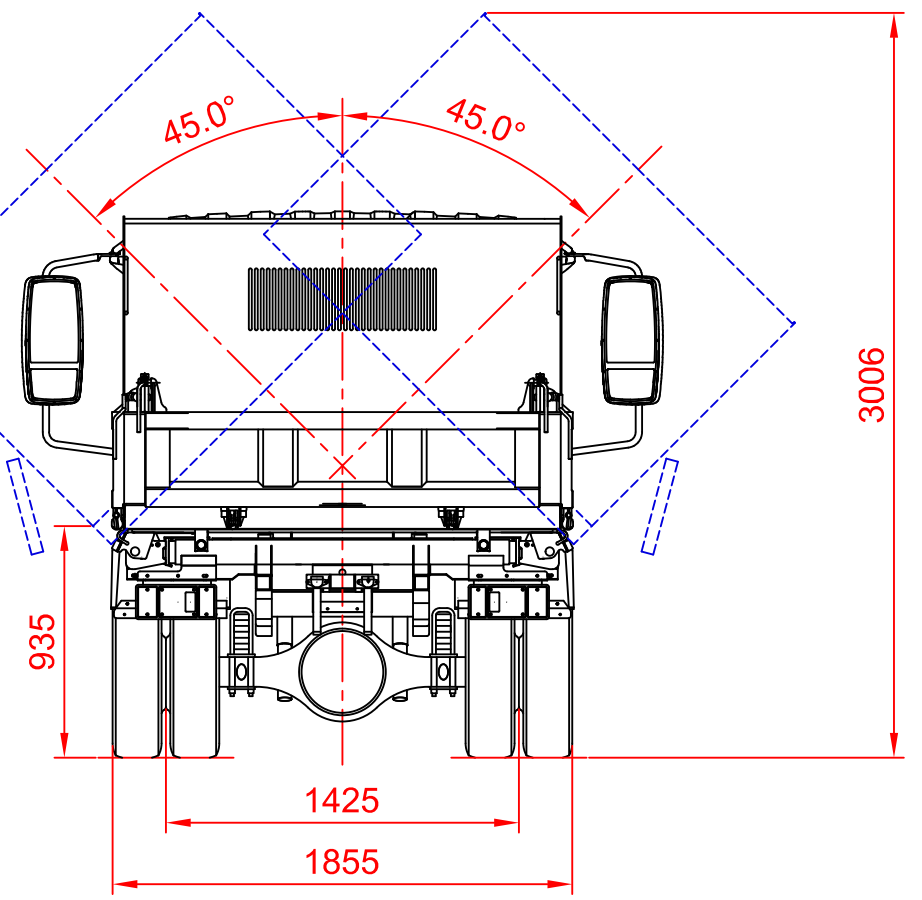
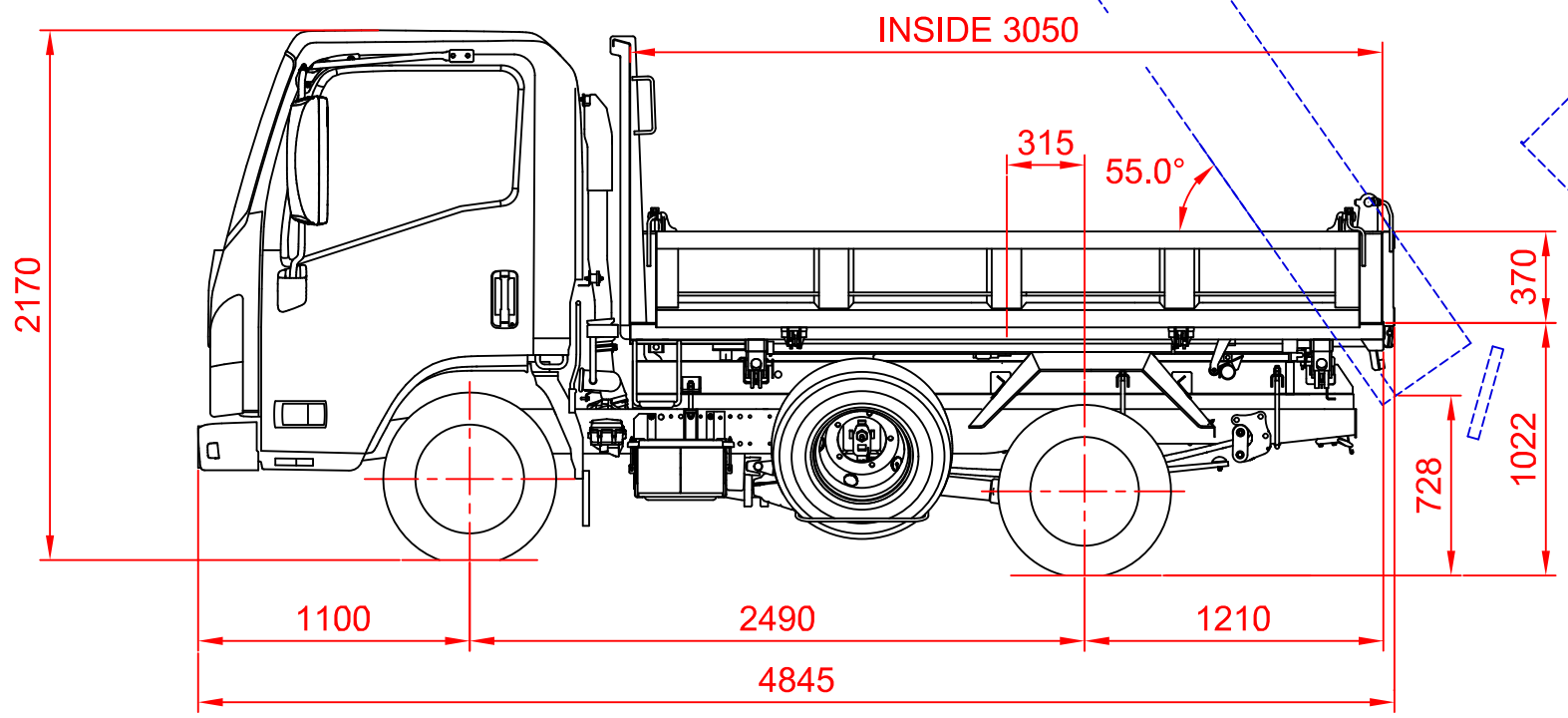
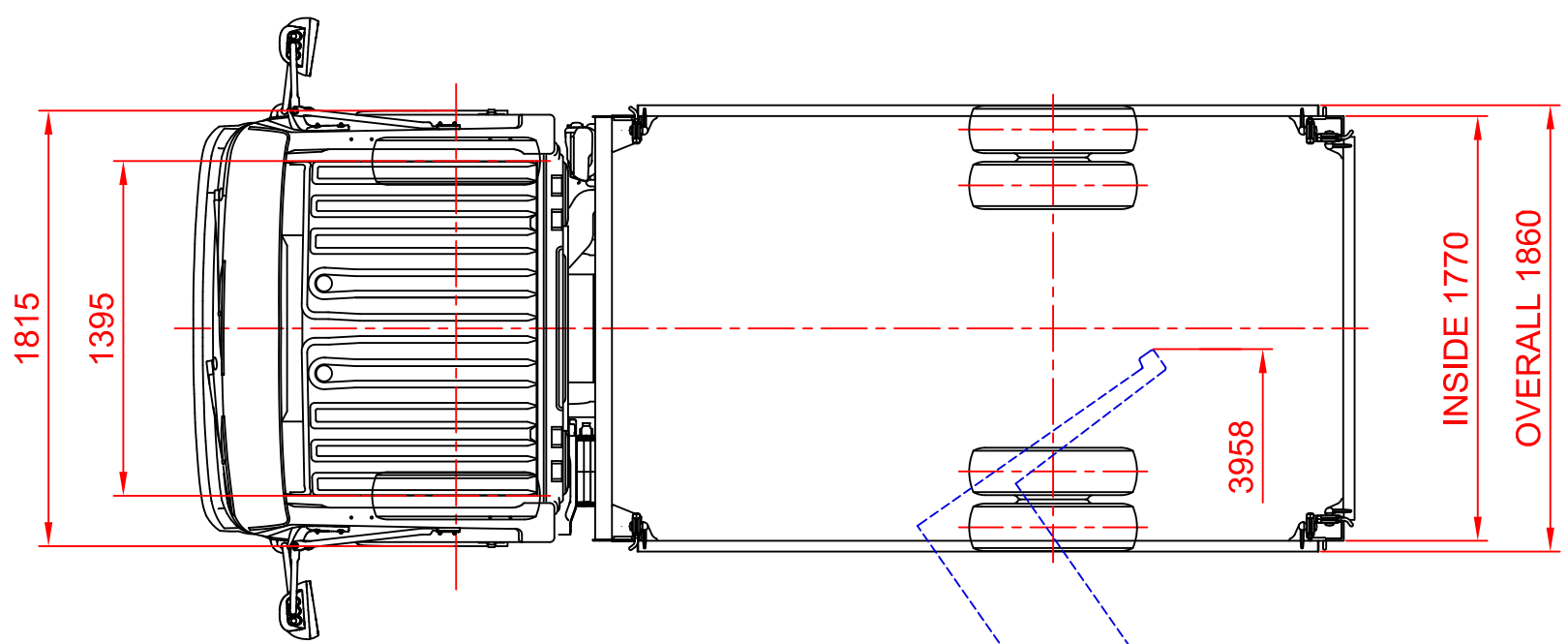


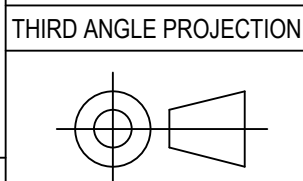
REVISION HISTORY				
ZONE	REV	DESCRIPTION	DATE	APPROVED



**BODY BUILDERS NOTES**

- DIMENSIONS ARE SHOWN FOR INDICATIVE PURPOSES ONLY
- REFER TO THE ACTUAL VEHICLE FOR MEASUREMENTS

UNLESS OTHERWISE SPECIFIED  
DIMENSIONS ARE IN MILLIMETERS.  
TOLERANCES ARE:  
DECIMALS ANGLES  
.X +/- 0.8 +/- 2 DEGREES  
.XX +/- 0.25  
DO NOT SCALE DRAWING



CONTRACT NO.  
**NLR85AU-EE6AYH**

APPROVALS	DATE
DRAWN <b>N SALLEN</b>	15/05/17
CHECKED <b>S HUMPHRIES</b>	15/05/17
ENGR <b>N SALLEN</b>	15/05/17
DESIGN ACTIVITY <b>BBG</b>	

**ISUZU**  
ISUZU AUSTRALIA LIMITED

TITLE  
**MY16 NLR 55/45-150 TRI-TIPPER**

SIZE	CAGE CODE	DWG NO.	REV.
A3	N/A	NH-MY16-NLR55_45-150 TRI-TIPPER	<b>A</b>