

ISUZU

SPECIFICATIONS

FRR 110-240 AMT IESC

FREIGHTPACK

Now with
Sat Nav fitted
as standard*



10 pallet (nominal) curtainside body / Easy glide curtains with quick release "Lightning" latches / Lightweight side gates / 3mm chequerplate floor and headboard with load restraints / Safety yellow coloured body steps and grab handles / Underbody mounted storage box / LED lighting for body interior and access steps / Body mounted air deflector / Body interior camera / Isuzu low light capable reversing camera / Daytime running lamps

AUSTRALIA'S TOP SELLING TRUCK BRAND SINCE 1989.

AT A GLANCE*

| | |
|--------|--------------------|
| GVM | 11,000 kg |
| GCM | 14,500 kg |
| Power | 177 kW @ 2,400 rpm |
| Torque | 765 Nm @ 1,600 rpm |

* Refer to back page for detailed weight rating information

ADVANCED TECHNOLOGY

Emissions: Japan PNLT / ADR 80/03
Low and high pressure sequential turbochargers
Driver and passenger airbag with seatbelt pretensioner
ECE-R29 compliant cab
Anti-lock Braking System (ABS)
Stability Control System (IESC)
Idle stop system (ISS)

Anti Skid Regulator (ASR)
Hill Start Aid (HSA)
Electric mirrors
Front stabiliser bar
Cruise control
ISRI 6860 driver seat with integrated seatbelt
Cornering lamps



ISUZU TRUCKS

DRIVELINE AND CHASSIS SPECIFICATIONS

ENGINE: ISUZU N-4HK1-TCH

- Type:** 4 cylinder 16 valve SOHC
Displacement: 5,193 cc
Compression Ratio: 16.5:1
Bore x Stroke: 115 mm x 125 mm
Max power (DIN-NET): 177 kW (237 HP) @ 2,400 RPM
(JIS Gross): 183 kW (245 HP) @ 2,400 RPM
Max torque (DIN-NET): 765 Nm (564 lb.ft) @ 1,600 RPM
(JIS Gross): 792 Nm (584 lb.ft) @ 1,600 RPM

Induction system: Low pressure turbocharger and high pressure Variable Geometry System (VGS) turbocharger sequentially operated and with air-to air intercooler.

Fuel injection: Direct injection high pressure common rail system. Exhaust pipe fuel injection for DPD regeneration.

Emission control system: Cooled EGR with exhaust Diesel Particulate Diffuser (DPD). ADR 80/03 (Japan PNLT) compliant.

CLUTCH

- Fully automated hydraulically controlled wet clutch and torque converter with lock up.

TRANSMISSION

ISUZU MZW-6P

- 6 speed Automated Manual Transmission (AMT) with both fully automatic and clutchless manual operation modes
- Integral oil pump provides full pressure lubrication
- PTO provision on LHS of transmission case. PTO drive from mainshaft gear.
- Gear ratios (:1)

| 1st | 2nd | 3rd | 4th | 5th | 6th | Rev |
|-------|-------|-------|-------|-------|-------|-------|
| 6.615 | 4.095 | 2.358 | 1.531 | 1.000 | 0.722 | 6.615 |

AXLES

Front: Isuzu F041

- Reverse Elliot I-beam. 4,100 kg capacity.

Rear: Isuzu R077

- Full floating Banjo type. 7,700 kg capacity.
- Drive ratio: 4.555:1

SUSPENSION

Front:

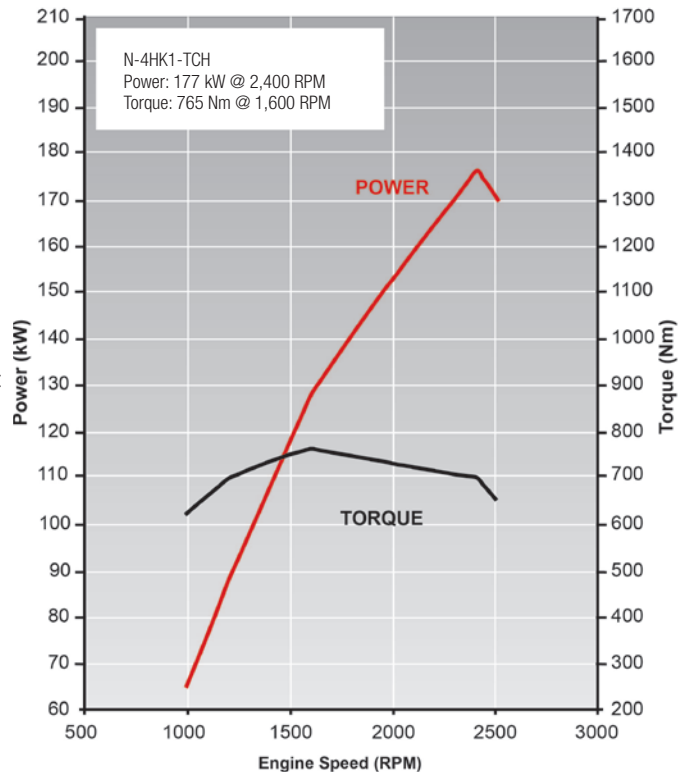
- Single stage alloy steel taper-leaf springs.
- Double acting hydraulic shock absorbers. Stabiliser bar.

Rear:

- Multi-leaf main spring, multi-leaf helper spring.

BRAKES

- Dual circuit air over hydraulic front and rear drum brakes.
- ABS, ASR traction control
- IESC stability control
- Hill Start Aid (HSA)
- Front drum size: 320 x 120 mm
- Rear drum size: 320 x 145 mm
- Spring park brake.
- Air controlled exhaust brake.
- Air dryer.



STEERING

- Power assisted recirculating ball steering.
- Gear ratio: 16:1 - 18.8:1
- Turns lock to lock: 4.1
- Maximum angle: 52° (inside wheel) / 39° (outside wheel)

WHEELS AND TYRES

- 17.5 x 6.75 six stud steel wheels.
- 235/75R17.5 132/130M Michelin X Multi Z Tubeless.
- Maximum tyre rating:
 - Steer axle: 4,000 kg
 - Drive axle: 7,600 kg
- Spare wheel and tyre assembly with winch type carrier.

CHASSIS FRAME

- Cold rivetted ladder frame with parallel side rails. HT540A high tensile weldable steel sidemembers.
- Frame dimensions:
 - Side rail (mm): 225 x 70 x 6.0
 - Rear frame width (mm): 840

FUEL TANK

- Frame mounted 200L steel fuel tank.
- Lockable fuel cap.

ELECTRICAL SYSTEM

- 24 volt electrical system.
- 90 amp alternator.
- 24 Volt, 5.0 kW starter motor.

CABIN SPECIFICATIONS AND APPOINTMENTS

CAB EXTERIOR

- All steel construction. High tensile steel used for cab underframe. Manual cab tilt to 45° with torsion bar assistance.
- Complies with ECE-R29 cab strength standard.
- Liquid filled front and rear cab mounts.
- Heavy duty non slip entry steps.
- 90° opening internally reinforced front doors.
- Water spray suppression guards and front mudflaps.
- Laminated windscreen with shade band.
- Two speed windscreen wipers, with intermittent wipe mode.
- Halogen multi-reflector headlamps incorporating turn signals. Additional door mounted integrated side indicator/cornering lamps.
- Combination brake, turn, reverse and marker lamps, registration plate illumination lamps. Reverse alarm.
- Roof-mounted clearance lamps.
- Heated and powered exterior main mirrors with flat glass and additional powered convex "spot" mirrors.
- Body coloured grille.
- Body coloured steel bumper with front foglamps. Air dam type (except PTO model). Standard type (PTO model).

CAB INTERIOR

- Isri 6860 air suspension driver's seat with pneumatic lumbar support, height, rake and automatic weight adjustment.
- Front passenger adjustable bucket seat and front centre seat with folding seat back.
- 3-point lap sash seatbelts in all outboard seating positions. Driver seatbelt with pretensioner integrated with driver seat. Outboard front passenger seatbelt fitted with pretensioner. Centre seat lap belts.
- Driver and outboard front passenger airbag.
- Driver's footrest.
- Door and roof pillar entry assist grips.
- Full interior trim, padded roof lining and vinyl floor covering. Driver and passenger windscreen header storage shelf.
- Tilt/Telescopic adjustable steering column, soft feel urethane steering wheel.
- Electric windows.
- Central locking with remote keyless entry and immobiliser.
- Twin cup holders. 24V Cigarette lighter. Dashboard hook.
- Front door mounted storage pockets and driver's side ashtray.
- Centre console box with storage tray. Fold down storage tray behind centre seat backrest.
- Fully integrated air conditioning and heater/demister with 4-speed fan and outlets for windscreen, side windows, face and floor.
- Fluorescent type interior lamp with On/Door/Off switch.
- 2 DIN, two speaker multimedia unit with 6.2" LCD capacitive touch screen. 1.6GHz processor with Android operating system. DAB+ digital radio and fully integrated Bluetooth with voice recognition. Inbuilt PDF, photo and movie viewer. Internet radio accessible via smartphone. 32GB internal file storage. USB and auxilliary input connection provisions. Firmware and map updates possible via smartphone.
- DIN sized compartment for storage or for CB radio installation.

- 2 x 115E41L (651 CCA) batteries connected in series.
- Underdash CAN interface unit and connector. SAE J1939 protocol. Facilitates connection to a Fleet Management System (FMS) (not supplied).

ISUZU SATELLITE NAVIGATION

Integrated with multimedia unit. Displayed information includes:

- Points of interest and Isuzu truck dealer locations.
- Road safety alerts.
- Speed limits and traffic signals.
- Route selection based on entered information such as vehicle weight and dimensions.

DRIVER CONTROLS

- Key-operated engine start/stop and steering lock. Engine idle speed control.
- HSA slow/fast engagement control and on/off switch.
- ASR and IESC on/off.
- Idle stop system on/off.
- DPD regeneration.
- AMT power/economy, skip shift and manual control mode switches
- Gear selection control with R-N-D and sequential shift positions.
- **Left side combination stalk:** Windscreen wipers, washers and exhaust brake.
- **Right side combination stalk:** Turn signals, headlamps and cruise control.

INSTRUMENTATION

- Electronically driven speedometer and tachometer. Digital odometer with integrated dual tripmeter. Engine coolant temperature, fuel level and air pressure gauges.
- **Warning lamps:** Check engine, oil pressure, low coolant level, ABS, SRS airbag, alternator charge, service brakes, park brake, seat belt unfastened, low air pressure, low fuel level, cab lock, check AMT.
- **Indicator lamps:** HSA, warm up system, high beam, ASR, IESC, DPD status, exhaust brake, turn signals, cruise control, econo-mode, 1st gear start.
- Gear selection display.
- Multi-information display. Shows service intervals, vehicle systems status, instantaneous and average fuel consumption, DPD bar chart, hourmeter, voltmeter, time/day/date and includes 40-120 km/h adjustable vehicle speed warning.

OPTIONS AND GENUINE ACCESSORIES

Include the following (extra cost, request a brochure and further details from your Isuzu dealer):

Multimedia unit:

- «Supports up to five camera inputs. One low light capable digital camera and rear microphone input active when reversing. Four analogue cameras.

- Reversing sensors.
- Tyre pressure monitoring system.

Other:

- Airbag compatible bullbar.

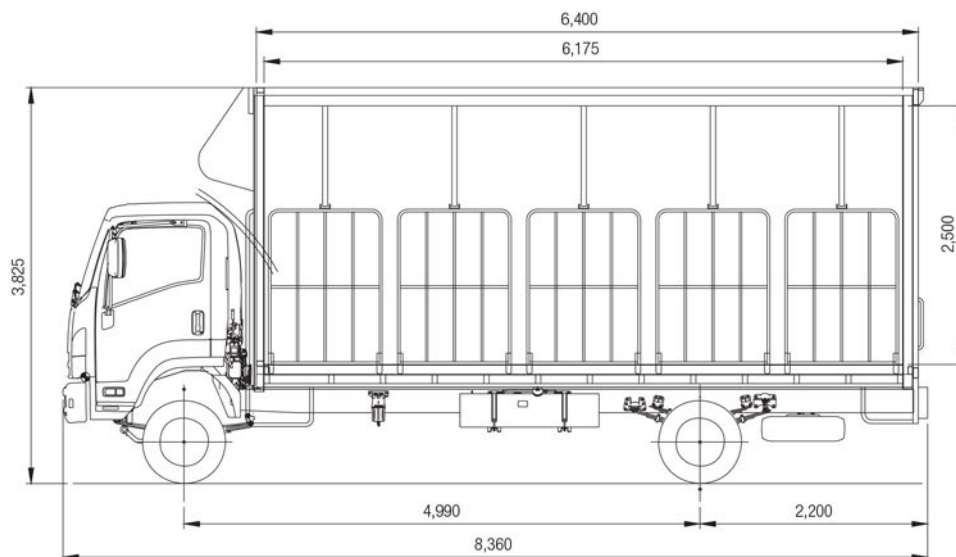
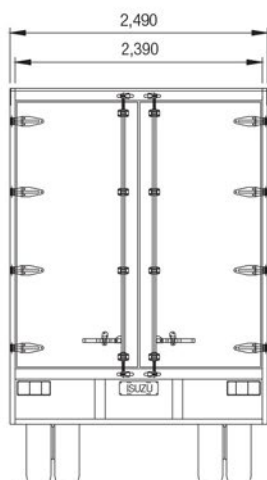
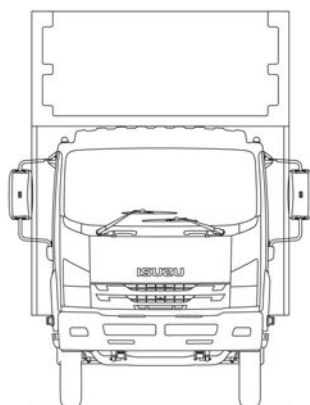
ISUZU CARE

Isuzu Care gives truck owners access to products and services including Roadside Assist, Service Agreements, Extended Care, Extended Isuzu Assist and the Isuzu Care Centre. Call 1800 035 640.

WEIGHTS (kg)

| Models | Ratings* | | Loading Limit* (at ground) | | Cab Chassis Mass # | | |
|----------------------------------|----------|--------|----------------------------|-------|--------------------|-------|-------|
| | GVM | GCM | Front | Rear | Front | Rear | Total |
| FRR 110-240 AMT IESC Freightpack | 11,000 | 14,500 | 4,000 | 7,600 | 2,765 | 2,835 | 5,600 |

* Vehicle ratings and front/rear weight limits are subject to government regulatory requirements and weight distribution analysis. Consult your Isuzu dealer to select the correct vehicle for your specific application. # Vehicle as supplied and including 10 litres of fuel.



PERFORMANCE (calculated - typical paved road)

| | | Geared Speed* (top gear at peak power engine RPM) | Low Speed Gradeability (lowest forward gear assuming no wheel slip) | Engine Speed (top gear at 100km/h) |
|----------------------------------|------------------|--|--|---------------------------------------|
| FRR 110-240 AMT IESC Freightpack | At 11,000 kg GVM | 107 km/h @ 2,400 RPM | 49% | 2,255 RPM |

*Maximum speed achievable depends on vehicle frontal area as well as other factors. Consult your Isuzu dealer for more detailed information.

ISUZU WARRANTIES

STANDARD¹

| | |
|--|-----------------------------------|
| New Vehicle | 3 years • 150,000km • 2,500 hours |
| Cab Perforation Corrosion | 3 years • unlimited km |
| Isuzu Assist: 24 hour roadside assistance (3 years, unlimited km)* | |

EXTENDED CARE²

| |
|---|
| Extended Warranty: 5 years • 300,000km • 5,000 hours |
| Isuzu Assist: 24 hour roadside assistance (5 years, unlimited km) |

ORDER CODES

| Model | Code |
|--------------------------------------|-----------------------|
| FRR 110-240 AMT LWB IESC Freightpack | FH-FRREP-D20 (IALFP6) |

¹ Subject to the conditions outlined in the IAL New Vehicle Warranty, the Isuzu FRR models carry a standard factory warranty which covers the owner: (i) for the entire vehicle, for the first 36 months or 150,000 km or 2,500 hrs (whichever comes first), (ii) against cab perforation corrosion, for 36 months and unlimited kilometres. ² Extended Warranty as illustrated may be purchased to cover the owner against the failure of original components, but may exclude some components and expendable items such as oil, filters, etc. *Valid for three years from the date of new vehicle purchases. All Isuzu warranties are subject to mandatory prescribed terms under Australian Consumer law including customer guarantees. For more details visit the Isuzu website which explains Isuzu warranties in more detail, or alternatively contact your local dealer. All warranties commence from date of delivery.

ISUZU AUSTRALIA LIMITED ABN 97 006 962 572 ("IAL"). The information in this spec sheet was correct at time of printing, but all measurements, specifications and equipment are subject to change without notice. Some equipment may have been changed and/or is available at extra cost. IAL may make changes at any time without notice, in prices, colours, materials, equipment and models. IAL makes all reasonable attempts to ensure the availability of all vehicles and equipment. The information in this spec sheet is general in nature. Your Isuzu dealer can confirm all measurements, specifications and vehicle / equipment availability upon request. To the extent permitted by the law, IAL is not liable to any person as result of reliance on the content of this spec sheet.