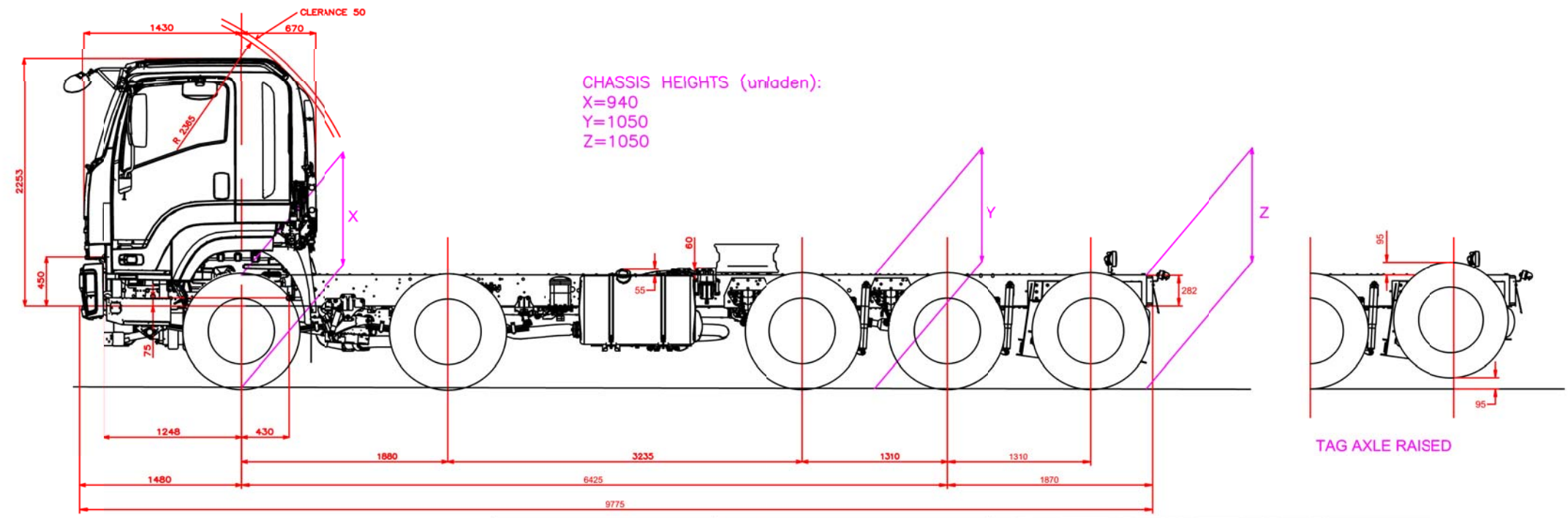
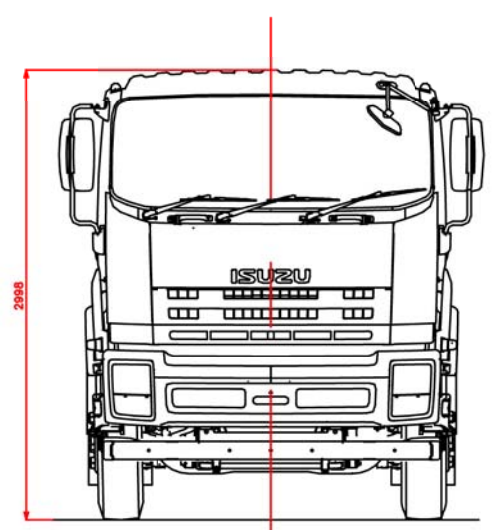
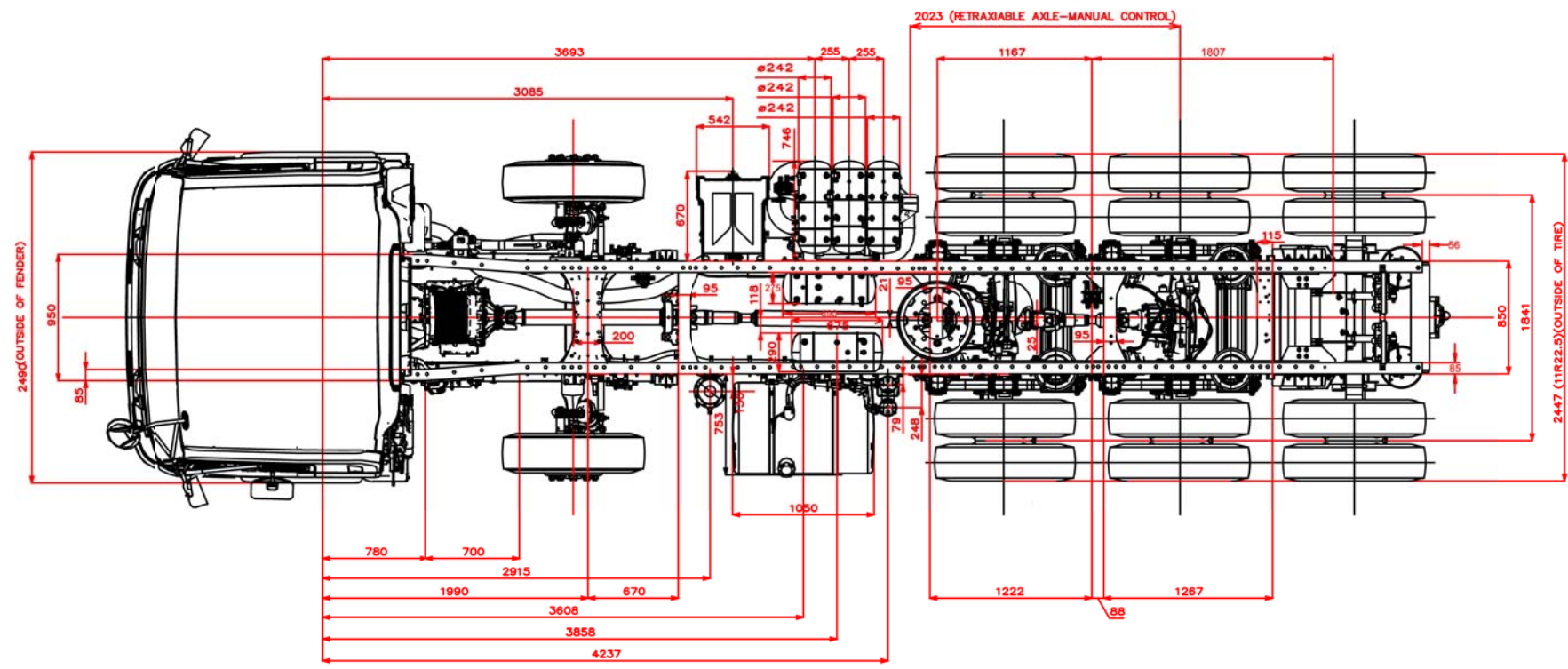


REVISION HISTORY

ZONE	REV	DESCRIPTION	DATE	APPROVED
E5	TWO	ADD RET AXL CTRL	28 AUG 14	S HUMPHRIES
D5	THREE	CTRL BOX DELETED	03 DEC 2014	R RODRIGO



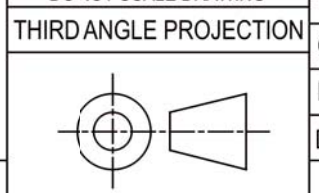
CHASSIS HEIGHTS (unladen):
 X=940
 Y=1050
 Z=1050

TAG AXLE RAISED

BODY BUILDERS NOTES

- DIMENSIONS ARE SHOWN FOR INDICATIVE PURPOSES ONLY
- REFER TO THE VEHICLE FOR ACTUAL MEASUREMENTS

UNLESS OTHERWISE SPECIFIED DIMENSIONS ARE IN MILLIMETERS. TOLERANCES ARE:
 DECIMALS ANGLES
 .X +/- 0.8 +/- 2 DEGREES
 .XX +/- 0.25
 DO NOT SCALE DRAWING



CONTRACT NO.
 FH-FYX-JJ-L13 / N/A

APPROVALS	DATE
DRAWN N SALLEN	12/07/13
CHECKED C WHITE	12/07/13
ENGR N SALLEN	12/07/13
DESIGN ACTIVITY	BBG

ISUZU
 ISUZU AUSTRALIA LIMITED

TITLE
MY13 FYX 2500 MED AUTO

SIZE A3	CAGE CODE N/A	DWG NO. FH-MY13-FYX2500MED	REV. THREE
---------	---------------	----------------------------	------------