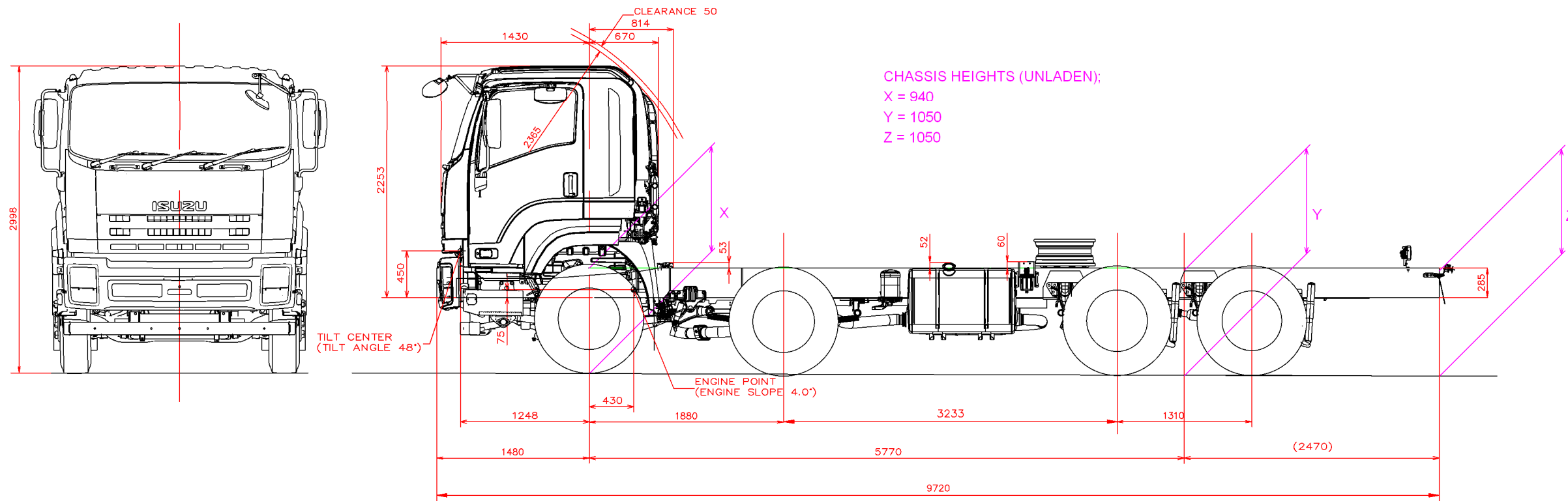
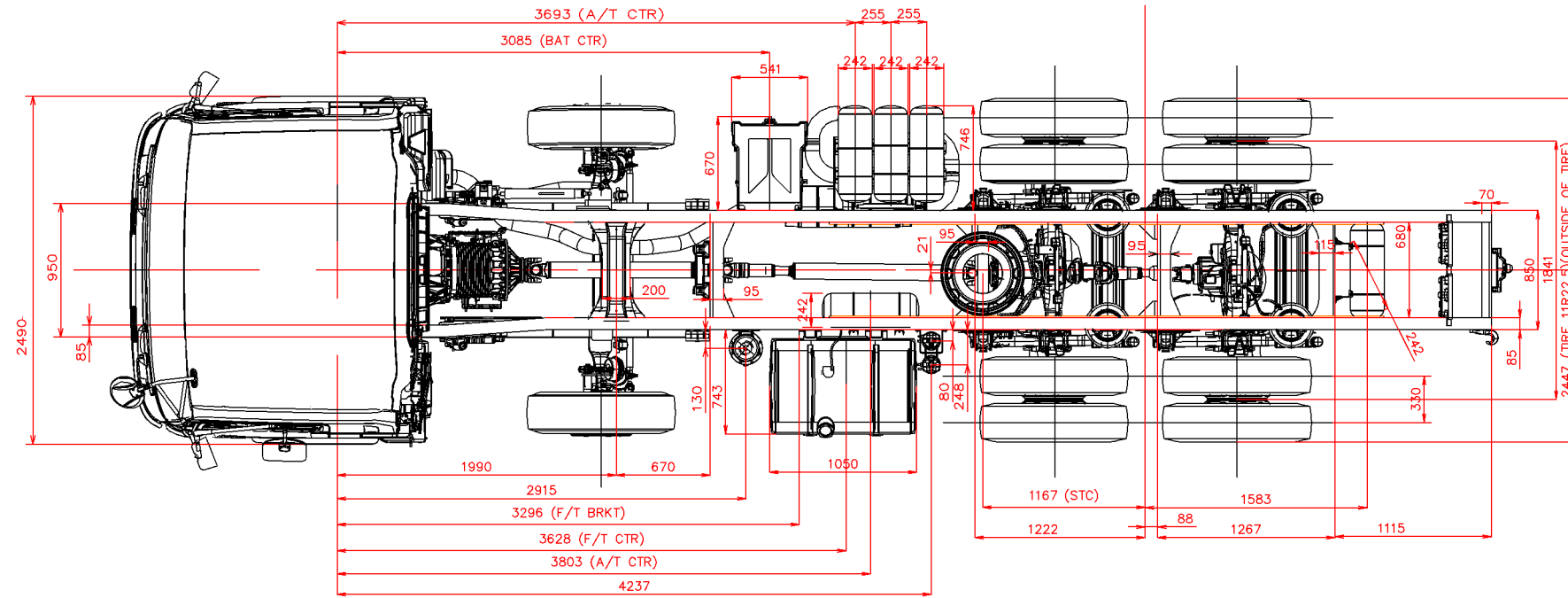


REVISION HISTORY

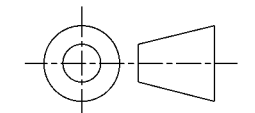
ZONE	REV	DESCRIPTION	DATE	APPROVED



BODY BUILDERS NOTES

1.	DIMENSIONS ARE SHOWN FOR INDICATIVE PURPOSES ONLY
2.	REFER TO VEHICLES FOR ACTUAL MEASUREMENTS

UNLESS OTHERWISE SPECIFIED DIMENSIONS ARE IN MILLIMETERS.  
TOLERANCES ARE:  
DECIMALS ANGLES  
X +/- 0.8 +/- 2 DEGREES  
.XX +/- 0.25  
DO NOT SCALE DRAWING  
THIRD ANGLE PROJECTION



CONTRACT NO.  
FH-FYJ-JK-B13 / FYH77VU-TDMSH  
FH-FYJ-JJ-L13 / FYH77VU-TDSH-P

APPROVALS	DATE
DRAWN N SALLEEN	25/06/13
CHECKED C WHITE	25/06/13
ENGR N SALLEEN	26/06/13
DESIGN ACTIVITY BBG	

**ISUZU**  
ISUZU AUSTRALIA LIMITED

TITLE  
**MY13 FYJ 2000 MEDIUM AUTO/PTO/AGT**

SIZE A3	CAGE CODE N/A	DWG NO. FH-MY13-FYJ2000MED	REV. ONE
---------	---------------	----------------------------	----------