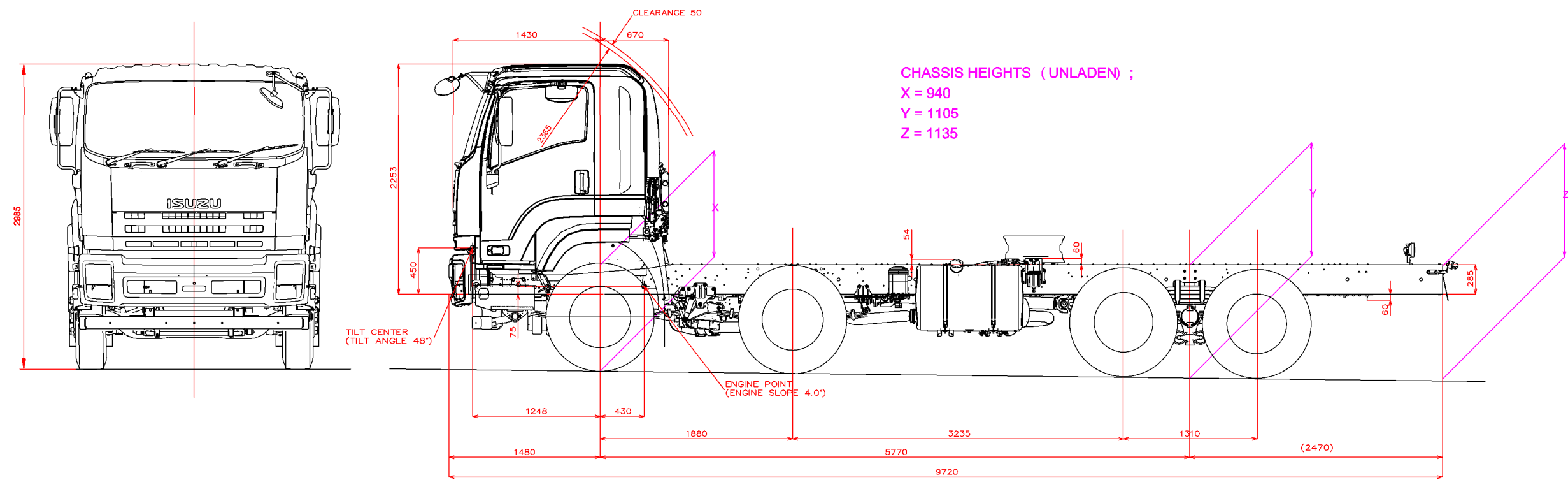
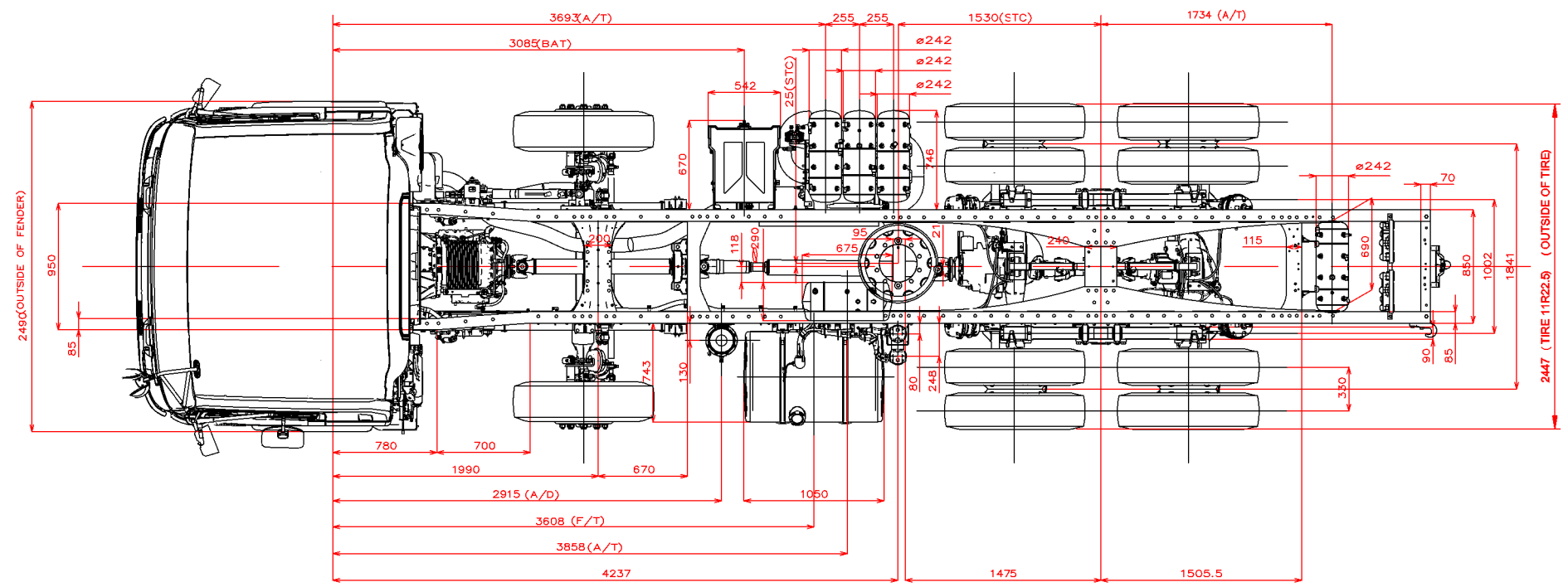


REVISION HISTORY

ZONE	REV	DESCRIPTION	DATE	APPROVED

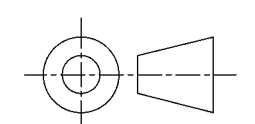


CHASSIS HEIGHTS (UNLADEN) ;
 X = 940
 Y = 1105
 Z = 1135

BODY BUILDERS NOTES	
1.	DIMENSIONS ARE SHOWN FOR INDICATIVE PURPOSES ONLY
2.	REFER TO VEHICLE FOR ACTUAL MEASUREMENTS

UNLESS OTHERWISE SPECIFIED
 DIMENSIONS ARE IN MILLIMETERS.
 TOLERANCES ARE:
 DECIMALS ANGLES
 X +/- 0.8 +/- 2 DEGREES
 XX +/- 0.25
 DO NOT SCALE DRAWING

THIRD ANGLE PROJECTION



CONTRACT NO.
 FH-FYH-JK-B13 / FYH77UU-TDMSH
 FH-FYH-JJ-L13 / FYH77UU-TDSH-P

APPROVALS	DATE
DRAWN N SALLEN	27/06/13
CHECKED C WHITE	27/06/13
ENGR N SALLEN	27/06/13
DESIGN ACTIVITY BBG	

ISUZU
 ISUZU AUSTRALIA LIMITED

TITLE
MY13 FYH 2000 MEDIUM AUTO/PTO

SIZE A3	CAGE CODE N/A	DWG NO. FH-MY13-FYH2000MED	REV. ONE
----------------	----------------------	-----------------------------------	-----------------