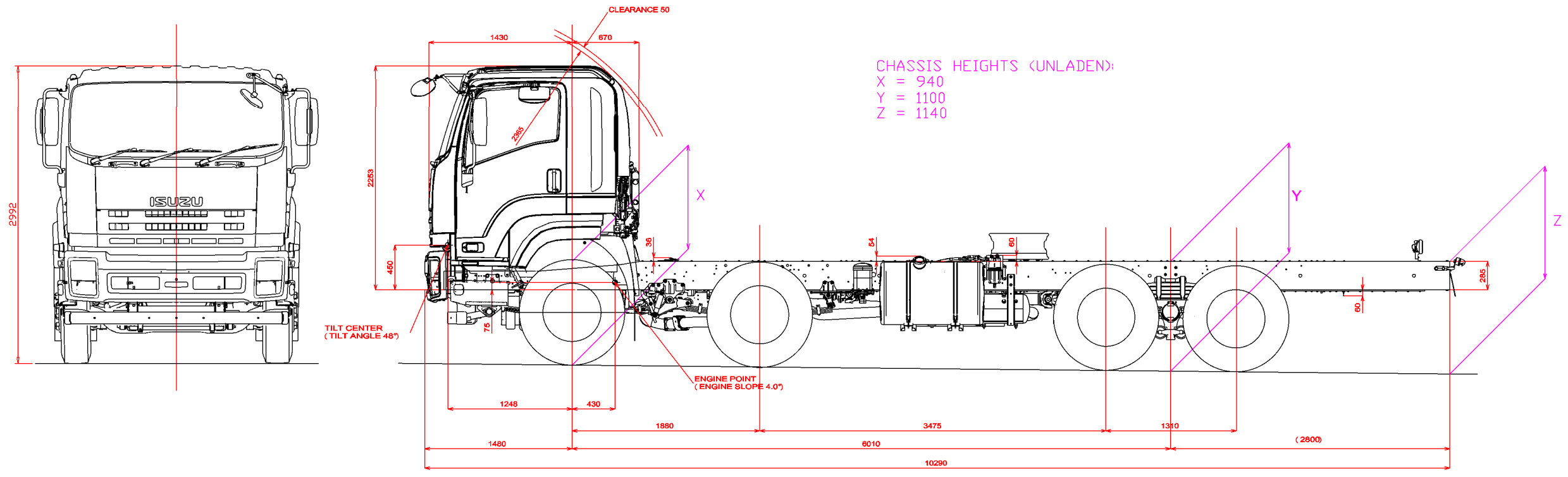
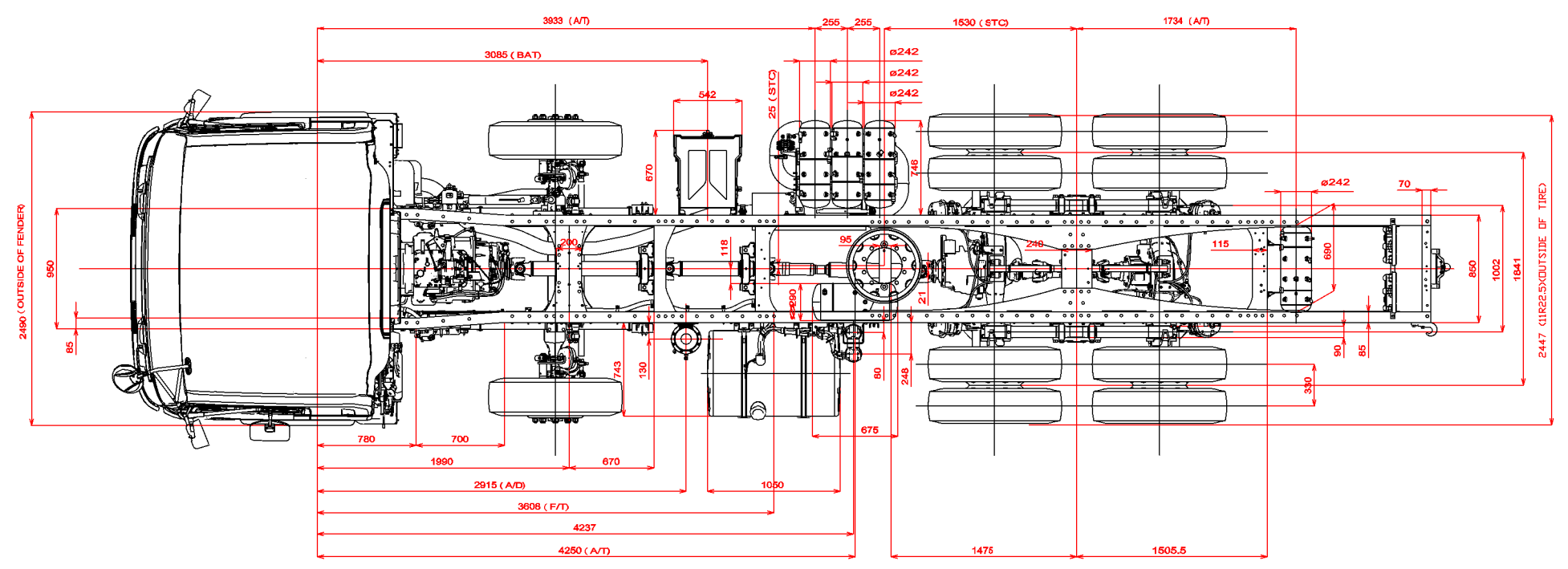


REVISION HISTORY

ZONE	REV	DESCRIPTION	DATE	APPROVED



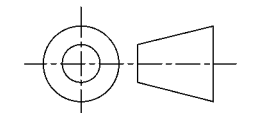
CHASSIS HEIGHTS (UNLADEN):
 X = 940
 Y = 1100
 Z = 1140

BODY BUILDERS NOTES

- DIMENSIONS ARE FOR INDICATIVE PURPOSES ONLY
- REFER TO THE VEHICLE FOR ACTUAL MEASUREMENTS

UNLESS OTHERWISE SPECIFIED
 DIMENSIONS ARE IN MILLIMETERS.
 TOLERANCES ARE:
 DECIMALS ANGLES
 X +/- 0.8 +/- 2 DEGREES
 XX +/- 0.25
 DO NOT SCALE DRAWING

THIRD ANGLE PROJECTION



CONTRACT NO.
 FH-FYH-JK-D13 / FYH77UU-UDMSH
 FH-FYH-JJ-N13 / FYH77UU-UDSH-P

APPROVALS	DATE
DRAWN N SALLEN	09/07/13
CHECKED C WHITE	09/07/13
ENGR N SALLEN	09/07/13
DESIGN ACTIVITY BBG	

ISUZU
 ISUZU AUSTRALIA LIMITED

TITLE
MY13 FYH 2000 LONG PTO/AUTO

SIZE	CAGE CODE	DWG NO.	REV.
A3	N/A	FH-MY13-FYH2000LONG	ONE

SCALE NOT TO SCALE CALC.WT ACT.WT SHEET 1 OF 1