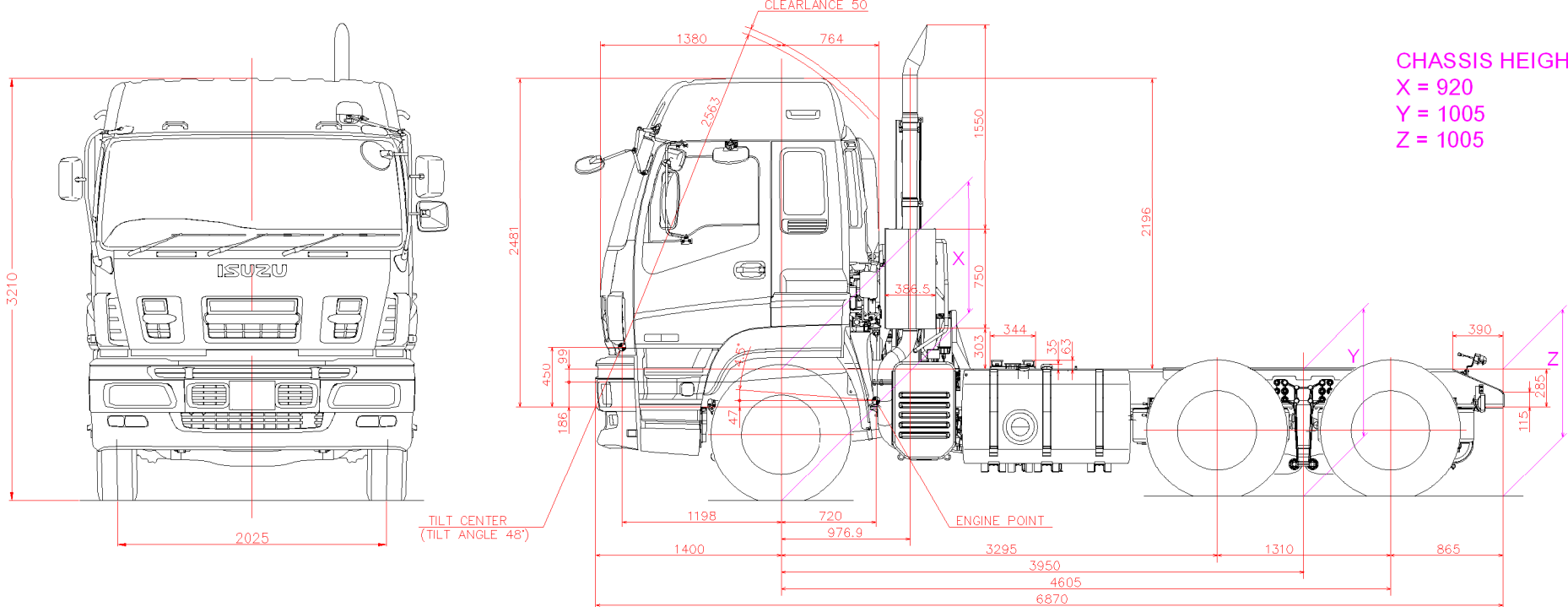
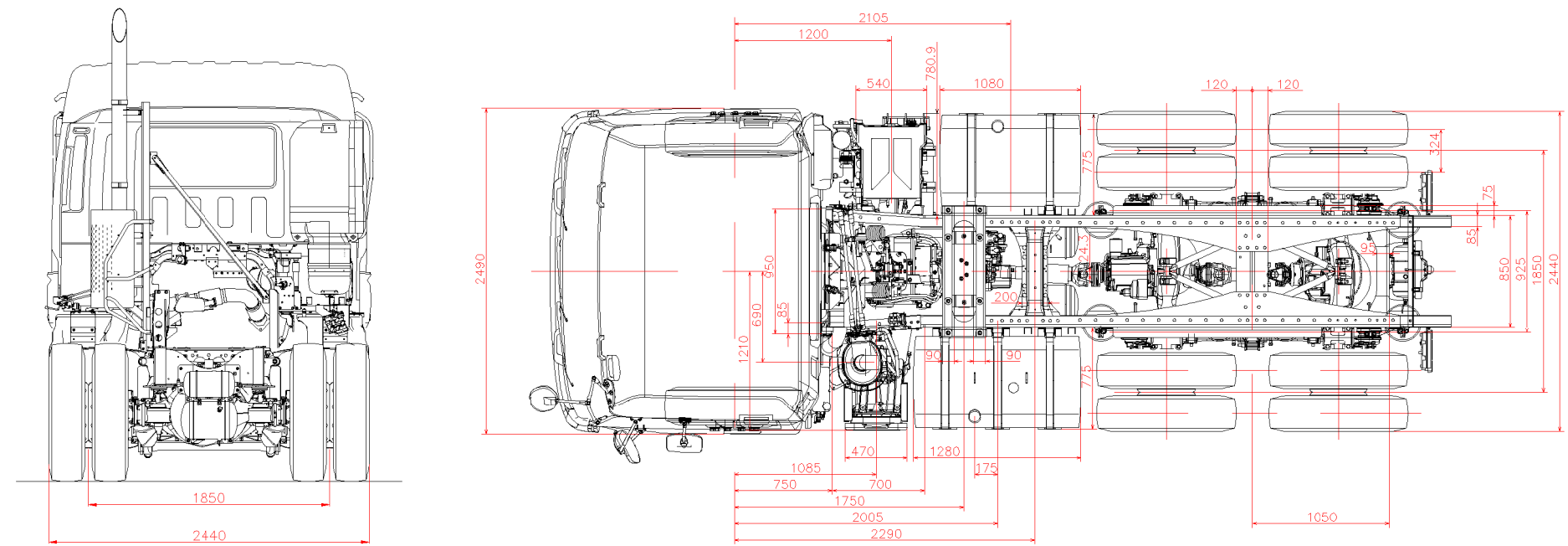


REVISION HISTORY				
ZONE	REV	DESCRIPTION	DATE	APPROVED



BODY BUILDERS NOTES	
1.	DIMENSIONS ARE SHOWN FOR INDICATIVE PURPOSES ONLY
2.	REFER TO VEHICLE FOR ACTUAL MEASUREMENTS

UNLESS OTHERWISE SPECIFIED DIMENSIONS ARE IN MILLIMETERS. TOLERANCES ARE:
 DECIMALS ANGLES
 .X +/- 0.8 +/- 2 DEGREES
 .XX +/- 0.25

CONTRACT NO. EXY52KRX3T17S33

APPROVALS	DATE
DRAWN N SALLEEN	04/02/14
CHECKED N SALLEEN	04/02/14
ENGR S HUMPHRIES	11/02/14
DESIGN ACTIVITY BBG	

DO NOT SCALE DRAWING
 THIRD ANGLE PROJECTION

ISUZU
 ISUZU AUSTRALIA LIMITED

TITLE
MY14 EXY 510 GIGAMAX

SIZE A3	CAGE CODE N/A	DWG NO. E-MY14-EXY510GIGAMAX	REV. ONE
SCALE NOT TO SCALE	CALC.WT	ACT.WT	SHEET 1 OF 1