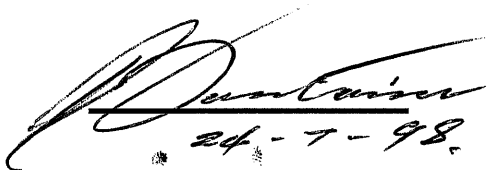


# ISUZU

SPEC. NO. 6770  
DATE 98/7

**ISUZU DIESEL 4JG2PD-01 ENGINE SPECIFICATION**  
**FOR**  
**GENESET**

IGM

  
24-7-98

Date :

Isuzu Motors Limited.



M.Yageta  
Manager  
International Sales Dept.  
Engine Sales Division

Date : 7/14/98

**ISUZU MOTORS LIMITED**  
**TOKYO JAPAN**

## ISUZU DIESEL 4JG2 ENGINE SPECIFICATIONS

SPEC. NO. 6770

DATE 98/7

|   |   |
|---|---|
| ENGINE MODEL  | 4JG2PD-01   |
| CUSTOMER  | IGM   |
| APPLICATION   | GENESET   |
| TYPE  | FOUR CYCLE. WATER COOLED, OVERHEAD VALVE<br>VERTICAL IN-LINE, SWIRL CHAMBER TYPE  |
| CYL.NO.-BORE × STROKE   | 4-95.4 × 107.0  |
| DISPLACEMENT  | 3.059 Lit.  |
| COMPRESSION RATIO   | 20.5 TO 1   |
| FIRING ORDER  | 1-3-4-2   |
| RATING (DIN 6271; WITHOUT COOLING FAN, PRODUCTION TOLERANC ±5%) |   |
| STAND-BY  | 28.6kW / 1450 rpm   |
| PRIME   | 26.0kW / 1500 rpm   |
| IDLE ENGINE SPEED   | 1000rpm ± 25  |
| NO LOAD MAX.ENGINE SPEED  | ≤1575 rpm ( 50Hz )  |
| AIR INTAKE SYSTEM   | NATURALLY ASPIRATED   |
| LUBRICATION SYSTEM  | FULL FORCED PRESSURE FEED TYPE  |
| OIL PUMP  | TROCHOID TYPE, GEAR DRIVEN FROM CAMSHAFT  |
| ANGULARITY LIMIT  | 0.262 rad (15° ) ALL DIRECTION  |
| LUBRICATION OIL CAPACITY  | MAX. 7.3 lit. MIN. 5.3 lit. (OIL PAN ONLY)  |
| TYPE OF LUBRICATION OIL   | API CC or CD  |
| COOLING SYSTEM  | WATER CIRCULATION TYPE BY PRESSURIZED<br>CENTRIFUGAL VANE TYPE BY VEE BELT DRIVEN |
| COOLANT CAPACITY  | 4.5 Lit. (ENGINE ONLY)  |
| FAN SPEED RATIO   | 1.21 (CRANKSHAFT PULLEY DIA. / FAN PULLEY DIA.)                                   |

## ISUZU DIESEL 4JG2 ENGINE SPECIFICATIONS

SPEC. NO. 6770

DATE 98/7

|                              |   |
|------------------------------|---|
| FUEL SYSTEM                  | BY PLUNGER AND NOZZLE, HIGH PRESSURE SOLID INJ. TYPE                                |
| INJECTION PUMP               | ZEXEL MAKE, IN-LINE BOSCH A TYPE,   |
| GOVERNOR                     | RSV VARIABLE SPEED CONTROL MACHANICAL GOVERNOR<br>CONTAINING FUEL FEED/PRIMING PUMP |
| INJECTION TIMING             | 0.244 rad (14° ) BTDC   |
| INJ. NOZZEL OPENING PRESSURE | 14.7 MPa (150 kg/Cm <sup>2</sup> )  |
| TYPE OF FUEL                 | DIESEL FUEL (SAE 2D TYPE)   |
| ELECTRICAL SYSTEM            | NEGATIVE GROUNDING SYSTEM, 12V  |
| STARTING AID                 | GLOW PLUG   |
| STARTER                      | 12V-2.2kW   |
| ALTERNATOR                   | 12V-35A   |
| DRY WEIGHT                   | APPROX. 245 kg  |
| DIMENSIONS(L × W × H.mm)     | 814.5 × 625 × 757   |
| ENGINE ASM DRAWING NO.       | DI1-6321  |
| PERFORMANCE CURVE NO.        | SD-7050   |

## ISUZU DIESEL 4JG2 ENGINE SPECIFICATIONS

SPEC. NO. 6770

DATE 98/7

DRESS LEVEL

| <u>No.</u> | <u>ITEM</u>               | <u>PARTS NO.</u> | <u>DESCRIPTION</u>   |
|------------|---------------------------|------------------|--|
| 1          | FLYWHEEL ASM; W/RING GEAR | 8944314702       | FLYWHEEL REAR TYPE   |
| 1 -1       | FLYWHEEL                  | 8944210041       |  |
| 1 -2       | RING GEAR                 | 8944196021       |  |
| 2          | FLYWHEEL; REAR            | 8941754091       | SAE #10 METRIC   |
| 3          | HOUSING ASM; FLYWHEEL     | 8970789240       | SAE #4 WITH METRIC HOLE  |
| 4          | OIL PAN ASM; W/DRAIN PLUG | 8971707120       | FRONT SUMP TYPE  |
| 5          | OIL PRESSURE WARNING SW.  | 1824100082       | OPERATIVE FROM 29.4 kPa ( 0.3kg/cm <sup>2</sup> )<br>NORMAL OPEN |
| 6          | OIL LEVEL GAUGE ASM       | 8970391980       | INSTALLED ON RH SIDE   |
| 7          | OIL FILTER ASM            | 8944621371       |  |
| 7 -1       | CARTRIDGE ; OIL FILTER    | 8944309831       |  |
| 8          | PULLEY; CRANKSHAFT        | 8944194572       | W - DAMPER , 3-GROOVES, E.D.143mm                                |
| 9          | COOLING FAN ASM           | 8944838940       | φ 430 , BLOWER , 6 BLADES  |
| 10         | PULLEY; FAN               | 8944598153       | 1-GROOVE, E.D.118mm  |
| 11         | BELT ASM ; COOLING FAN    | 1136710081       | L=1015mm   |
| 12         | SPACER; COOLING FAN       | 9136420780       | T=32mm   |
| 13         | WATER PUMP ASM            | 8971233290       | CENTRIFUGAL VANE TYPE  |
| 14         | THERMOSTAT HOUSING ASM    | 8944288120       |  |
| 15         | THERMOSTAT                | 8942149620       | OPEN 82°C , FULL OPEN 95°C                                       |
| 16         | OVERHEAT WARNING SW.      | 8944032410       | OPERATING TEMP : 95°C  |
| 17         | WATER INLET PIPE          | 8943163560       |  |
| 18         | WATER OUTLET PIPE         | 8971690150       | UPWARD TYPE  |
| 19         | INLET MANIFOLD ASM        | 8971708640       | CENTER UPWARD TYPE   |
| 20         | INLET PIPE                | 8971079581       | FRONTWARD TYPE, O.D. 54mm  |
| 21         | EXHAUST MANIFOLD          | 8941475330       | REAR UPWARD TYPE   |

## ISUZU DIESEL 4JG2 ENGINE SPECIFICATIONS

SPEC. NO. 6770

DATE 98/7

### DRESS LEVEL

| <u>No.</u> | <u>ITEM</u>               | <u>PARTS NO.</u> | <u>DESCRIPTION</u>                 |
|------------|---------------------------|------------------|------------------------------------|
| 22         | INJECTION PUMP ASM        | 8971710371       |                                    |
| 23         | INJ. NOZZLE ASM; W/HOLDER | 8971406240       |                                    |
| 23 -1      | INJ. NOZZLE               | 8971074440       |                                    |
| 24         | FUEL FILTER ASM           | 8941517451       | SPIN-ON TYPE                       |
| 24 -1      | CARTRIDGE ; FUEL FILTER   | 8944147963       |                                    |
| 25         | ALTERNATOR ASM            | 8944237560       | HITACHI , 12V-35A , WITH REGULATOR |
| 26         | STARTER ASM               | 8972047130       | 12V-2.2kW , REDUCTION TYPE         |
| 27         | GLOW PLUG                 | 8970437441       | RATING 10.5V                       |
| 28         | FOOT; ENGINE FT RH        | 8944350861       |                                    |
| 29         | FOOT; ENGINE FT LH        | 8944350871       |                                    |

## ISUZU DIESEL 4JG2 ENGINE SPECIFICATIONS

SPEC. NO. 6770

DATE 98/7

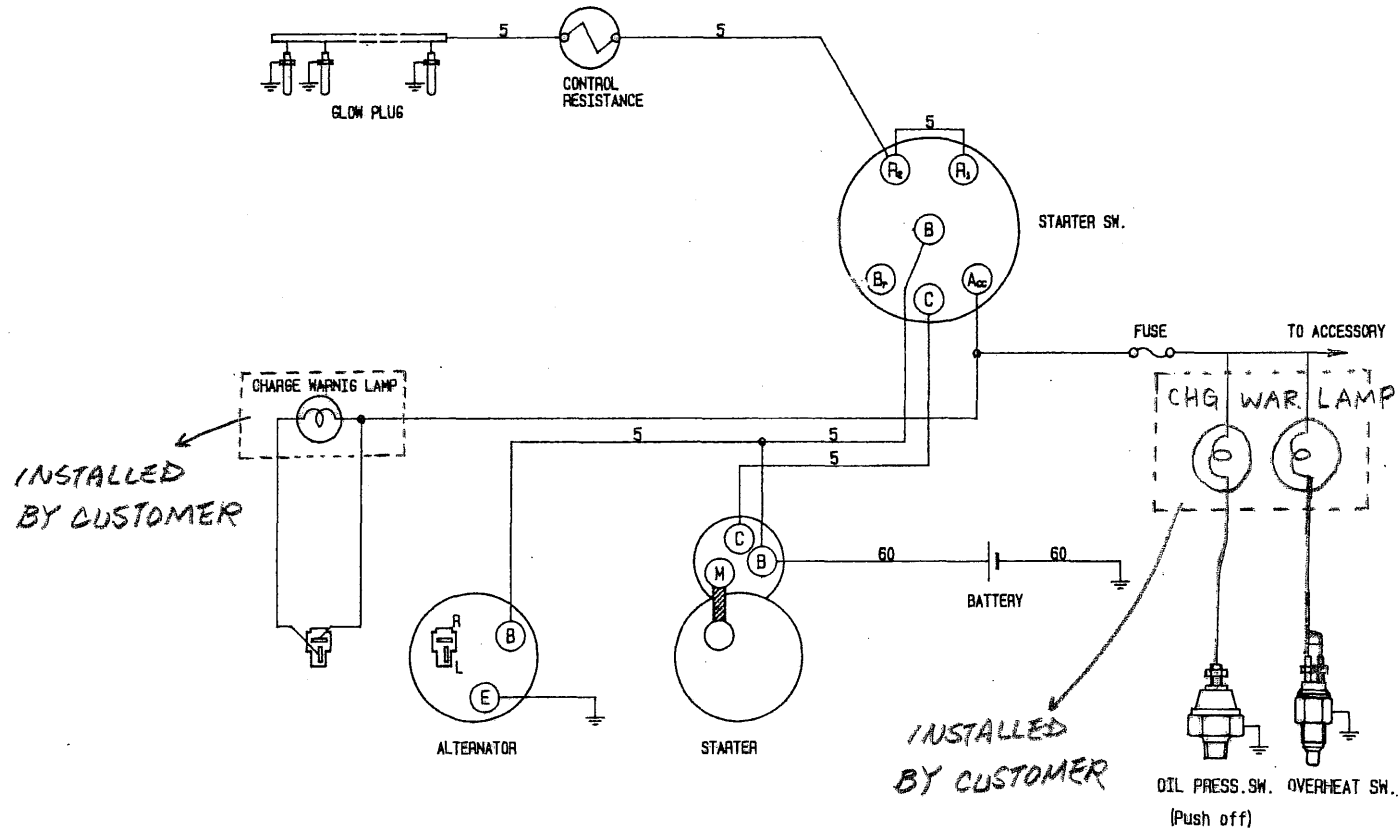
### LOOSE PARTS

| <u>No.</u> | <u>ITEM</u>         | <u>PARTS NO.</u> | <u>QTY.</u> |
|------------|---------------------|------------------|-------------|
| 1          | INSTRUCTION MANUAL  | 1320000000       | 1           |
| 2          | CONTROL RESISTANCE  | 9825300460       | 1           |
| 3          | SWITCH ASM; STARTER | 8944025000       | 1           |

COLOR CODE OF WIRE  
 B BLACK  
 Y YELLOW  
 L BLUE  
 R RED  
 W WHITE  
 G GREEN

CONNECTION TABLE

| TERMINAL  | B | B <sub>r</sub> | R <sub>1</sub> | A <sub>acc</sub> | R <sub>g</sub> | C |
|-----------|---|----------------|----------------|------------------|----------------|---|
| OFF       | ○ |                |                |                  |                |   |
| PRE. HEAT | ○ | ○              | ○              |                  |                |   |
| ON        | ○ | ○              |                | ○                |                |   |
| START     | ○ | ○              |                | ○                | ○              | ○ |



NO MARK WIRE SPEC. 0.85

WIRING DIAGRAM  
 (KEY OFF SYSTEM)

4JG2PD-01

PERFORMANCE CURVE

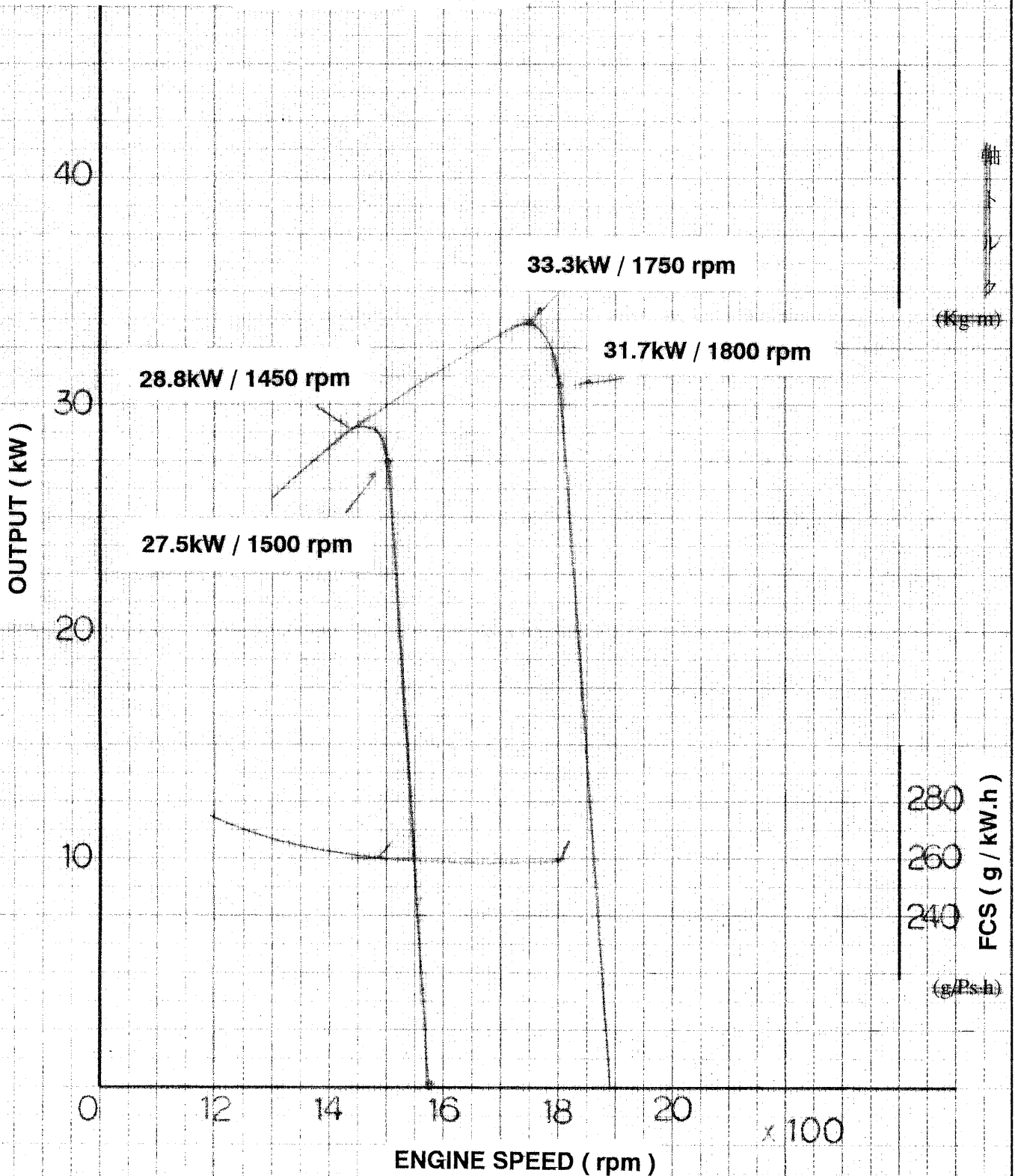
社内呼称

4JG2PD01

変更経歴

SD-7050

CONDITION ; DIN 6271  
WITH COOLING FAN  
WITHOUT SILENCER / AIR CLEANER





# ISUZU 4JG2 DIESEL ENGINE

## 4JG2PD-01

|                   |           |
|-------------------|-----------|
| ISUZU MOTORS LTD. |           |
| DWG. NO           | DG1-6321  |
| DATE              | JUN. 1998 |

