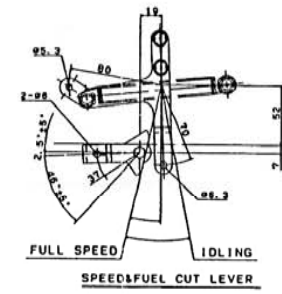
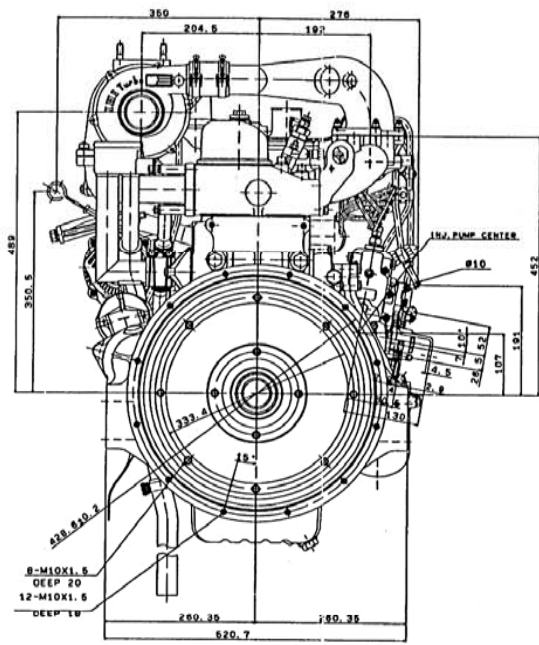
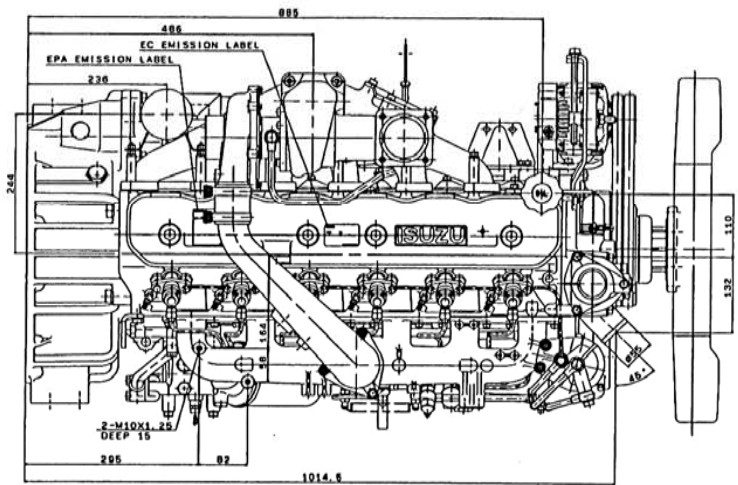


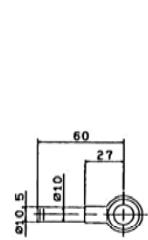
ISUZU 6BG1 T DIESEL ENGINE

A-6BG1TQV

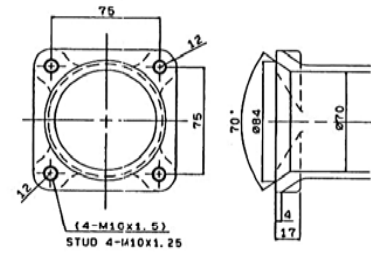
ISUZU MOTORS LTD	
OWG. NO.	DG1-5322
DATE	NOV. 1999



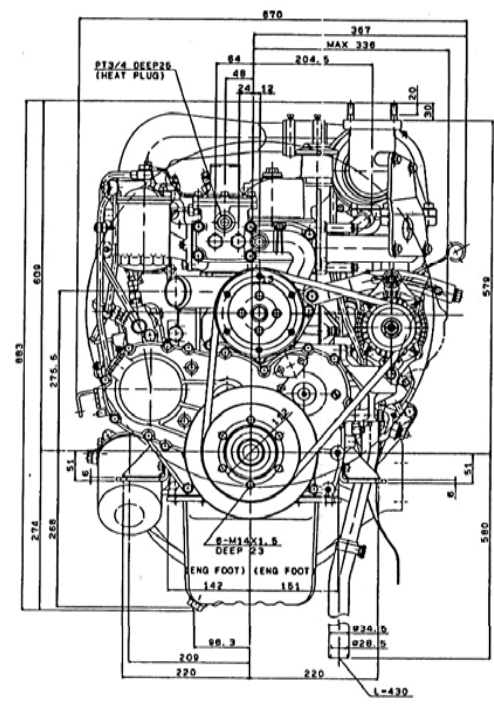
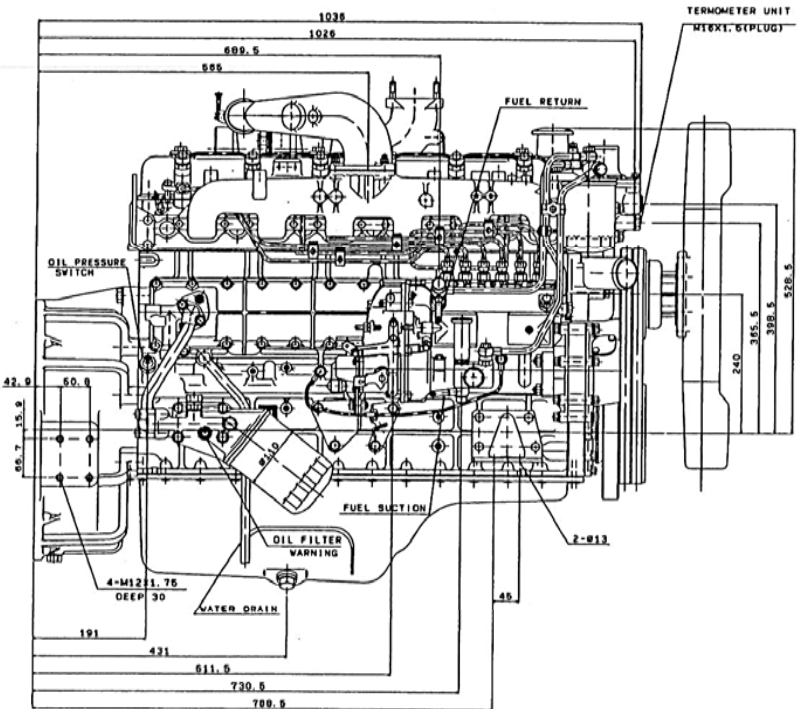
FULL SPEED IDLING
SPEED & FUEL CUT LEVER



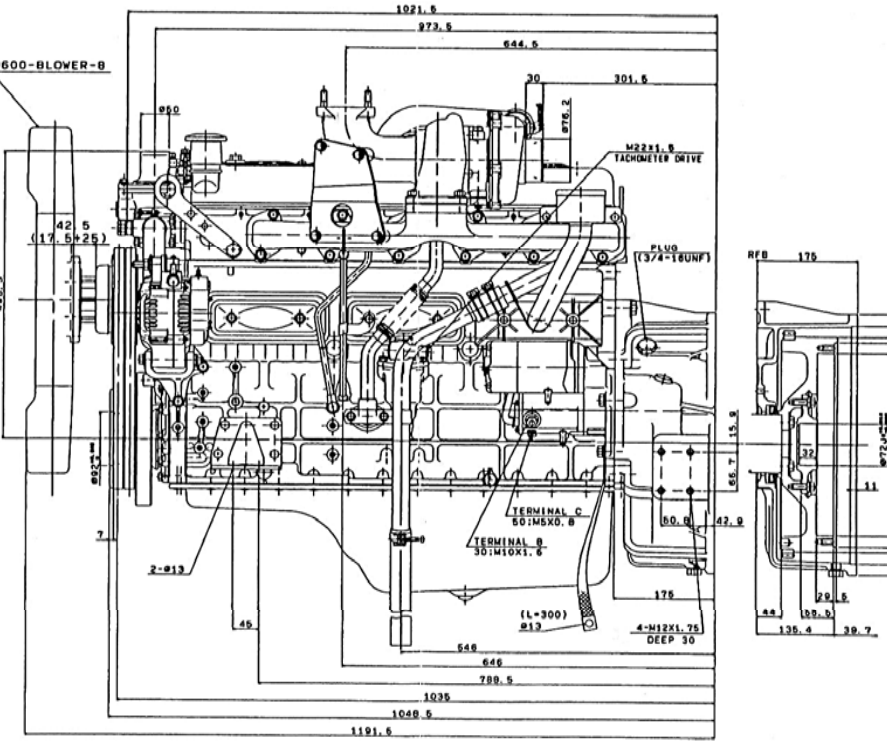
FUEL PIPE SUCTION & RETURN



EXHAUST PIPE
(4-M10X1.5) STUD 4-M10X1.25



8600-BLOWER-8



RFB 178