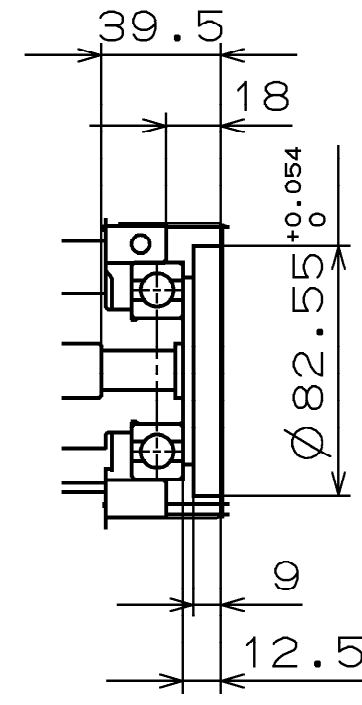
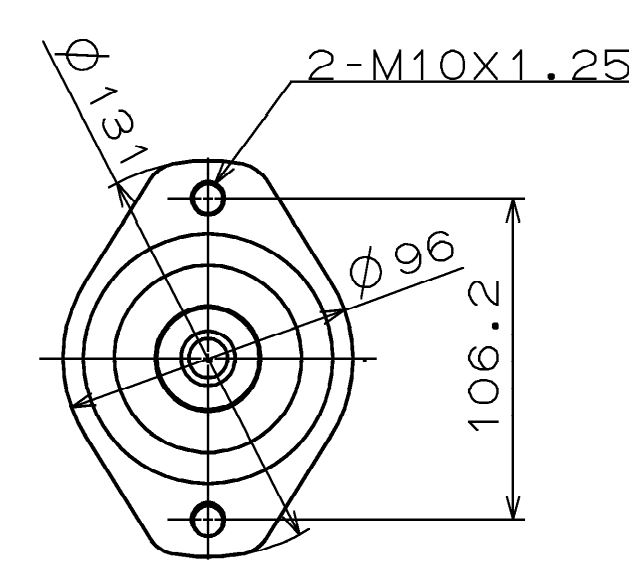


ISUZU 4LE1 DIESEL ENGINE

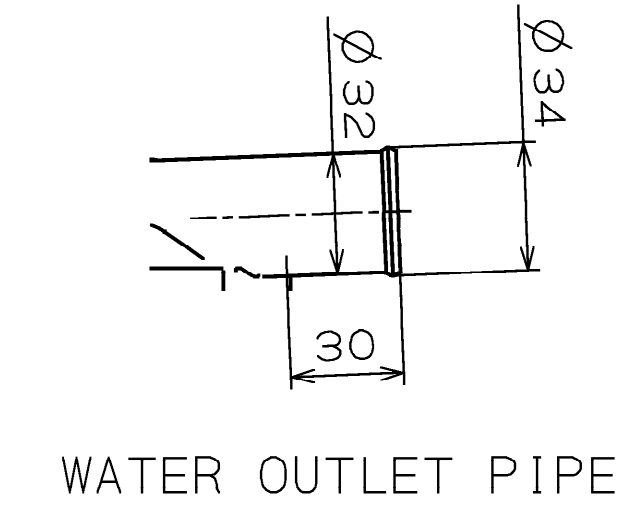
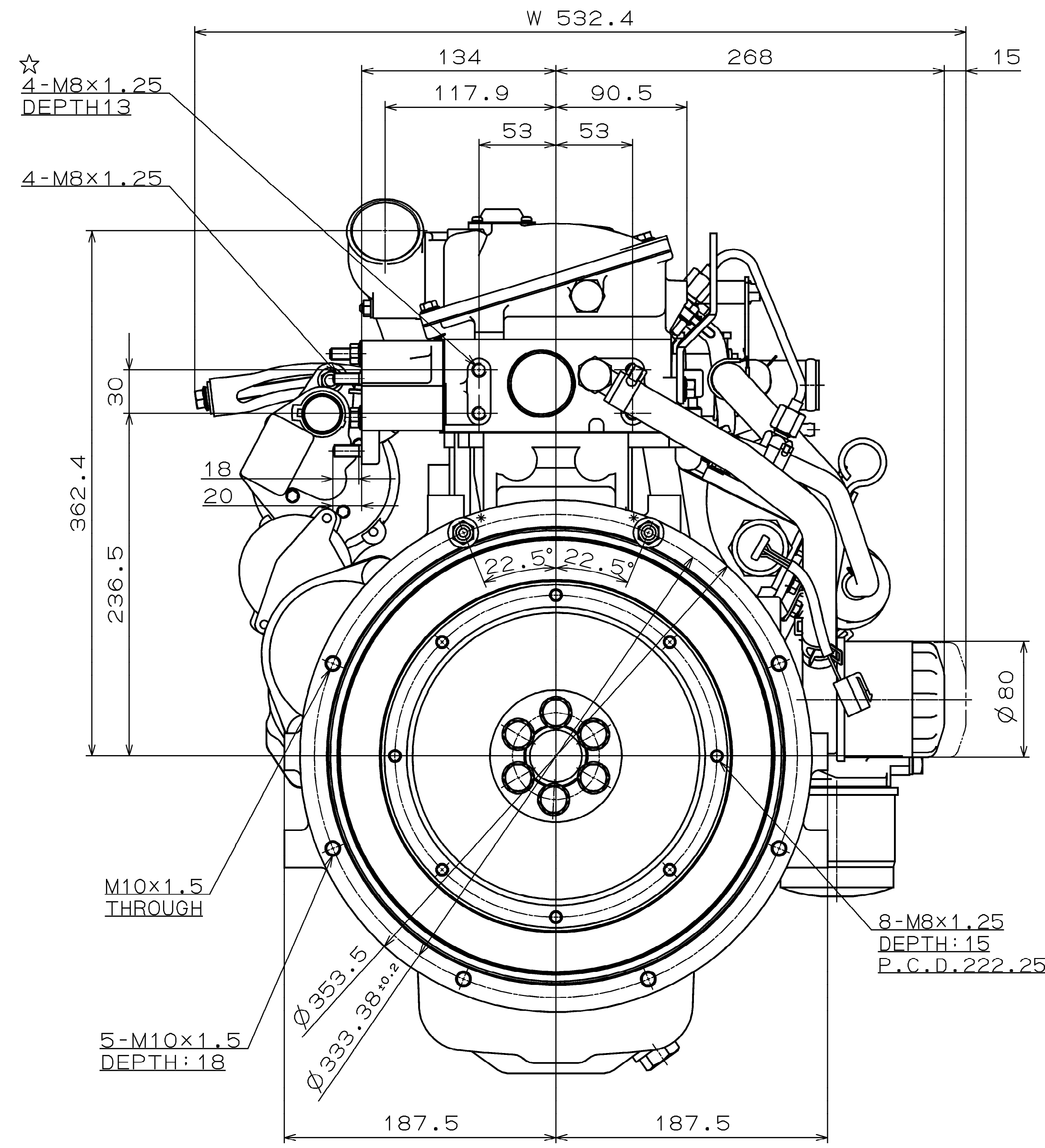
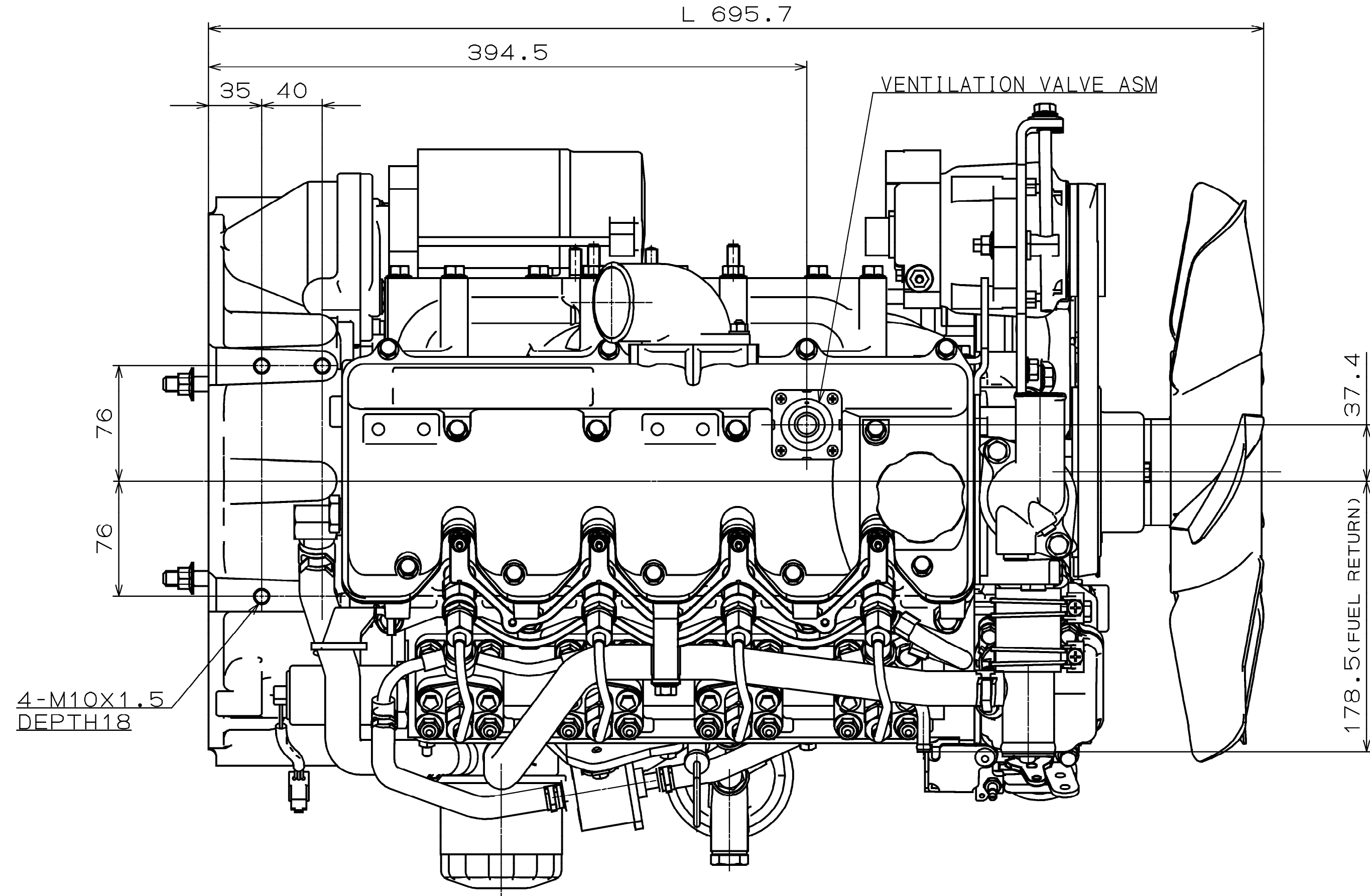
AV-4LE1NYBW-03
FOR ISZ-A/GENERAL POWER

ISUZU MOTORS LIMITED	DATE	'08- 1-23
OFF-HIGHWAY POWER TRAIN DEPT.	①	
DRW.No E3-1037-075-0	②	
TCAE/ATE93921		

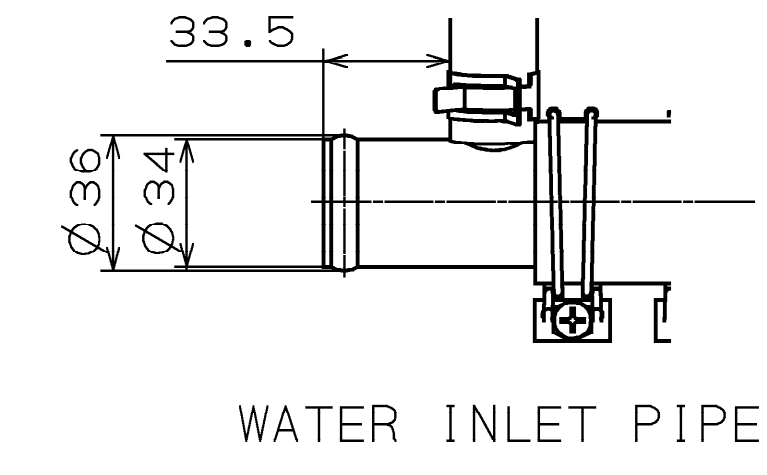
INVOLUTE SPLINE DIMENSIONS	
TOOTH FORM	FLAT ROOT SIDE
D.P.	16/32
PRESSURE ANGLE	30°
NUMBERS OF TEETH	9
DIAMETER OF BASIC PITCH CIRCLE	14.287
SPEED RATIO TO CLANK	ENG rpm:PTO rpm = 1 : 1.23
ROTATION DIRECTION	CLOCKWISE VIEWED FROM FAN SIDE



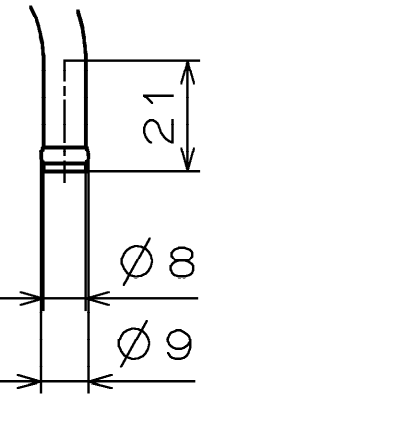
TIMING GEAR PTO



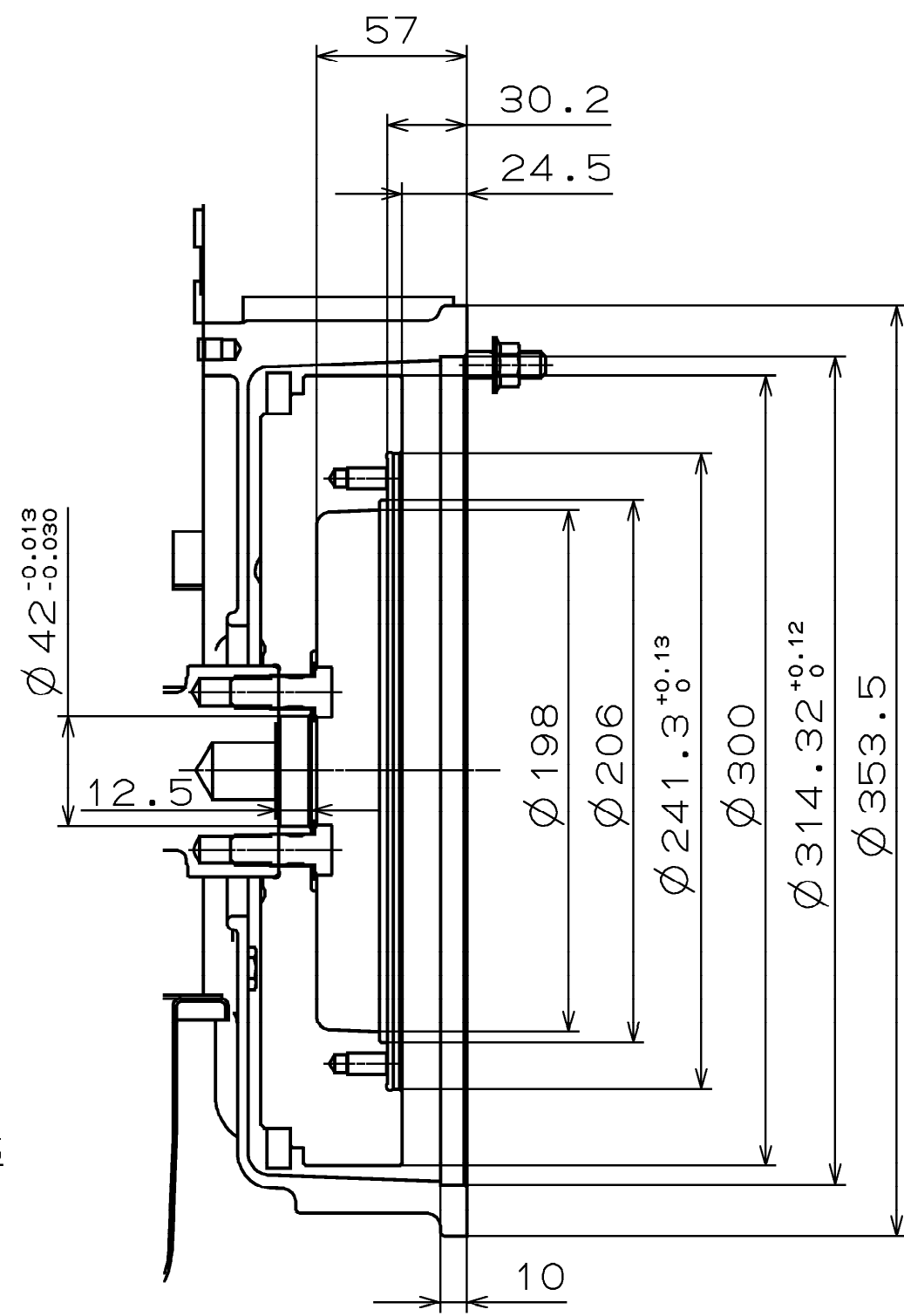
WATER OUTLET PIPE



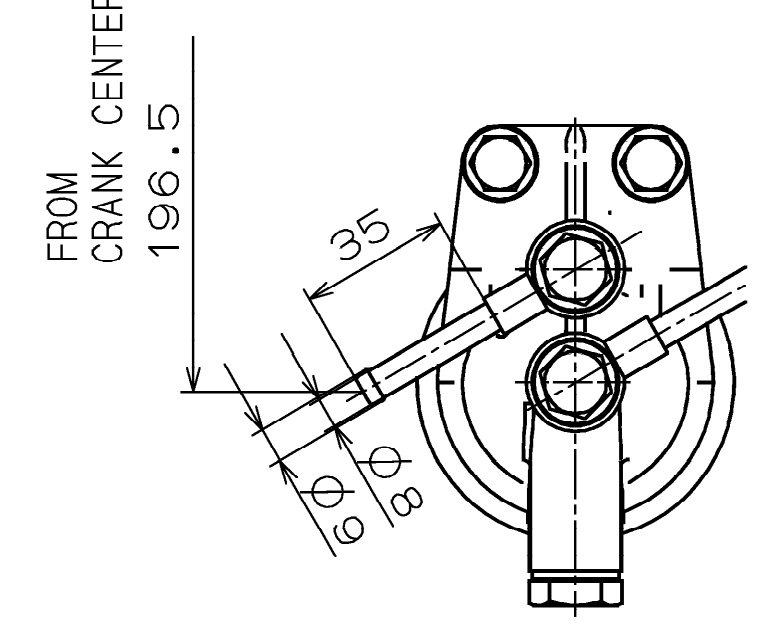
WATER INLET PIPE



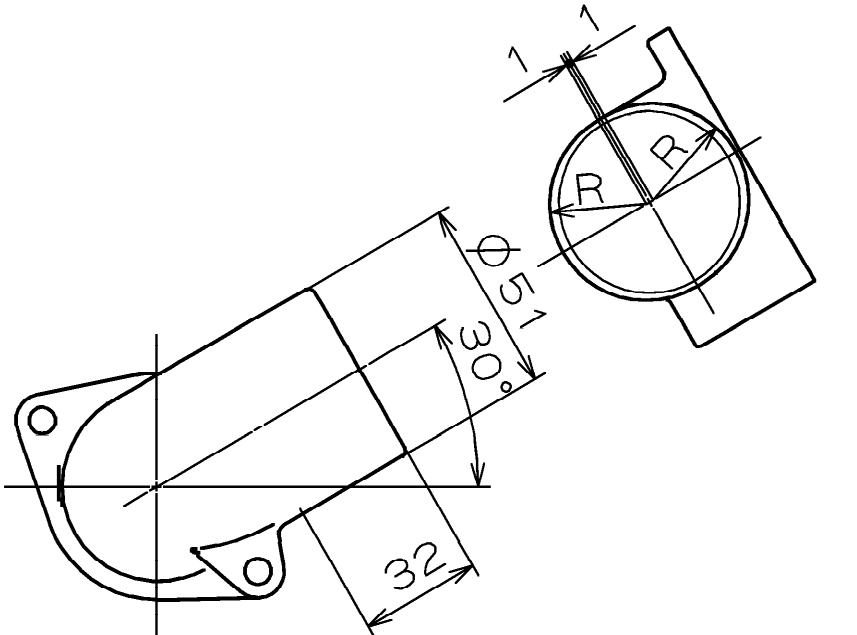
FUEL RETURN PIPE



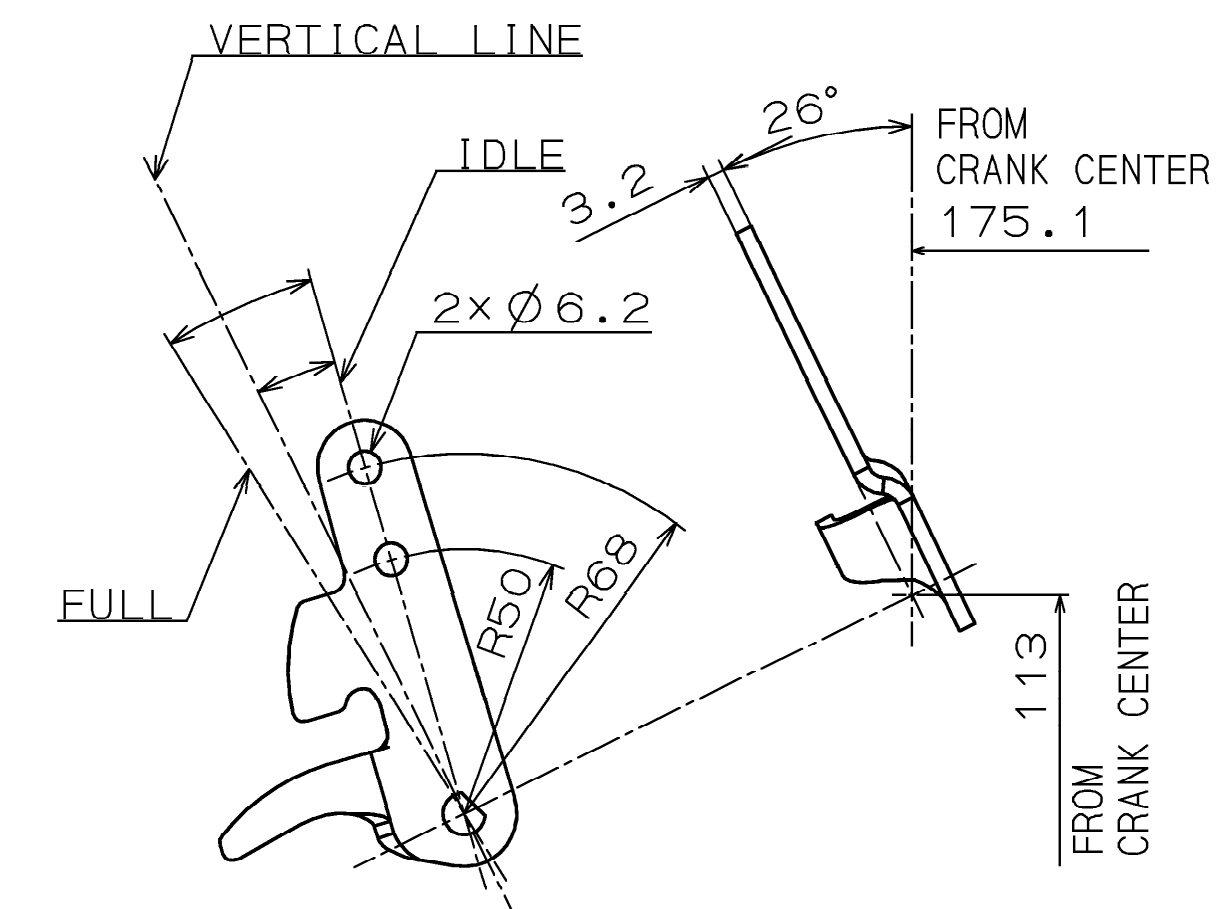
FLYWHEEL SECTION



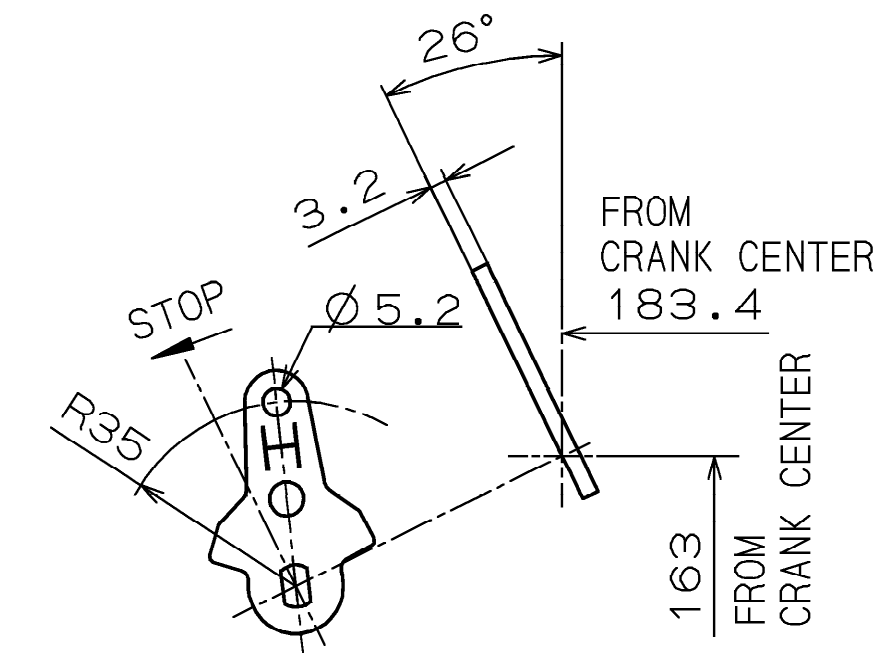
FUEL SUCTION PIPE



AIR INLET PIPE



CONTROL LEVER



FUEL CUT LEVER

