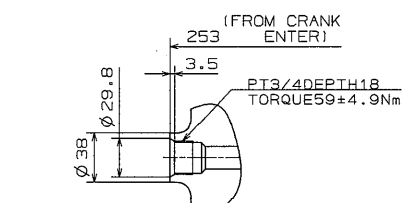
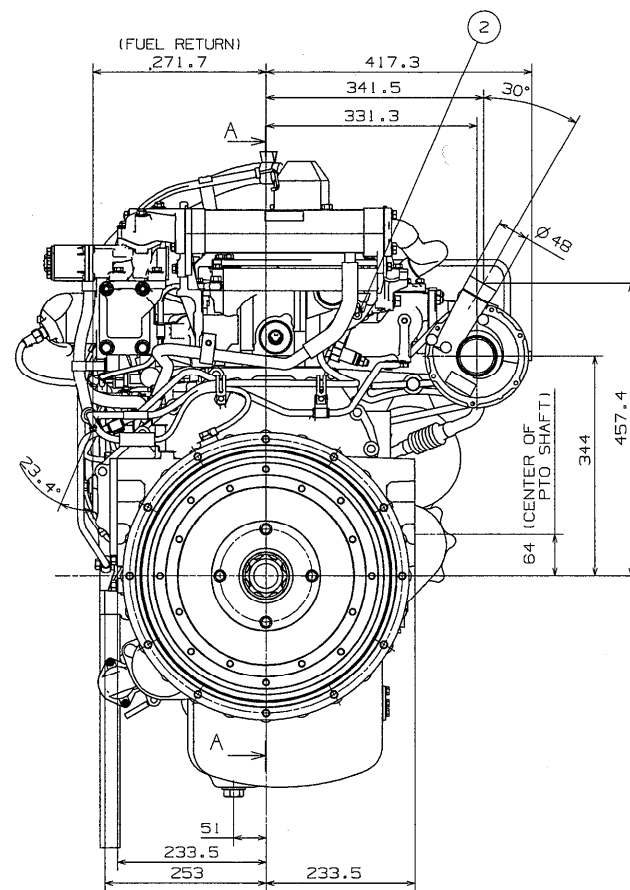
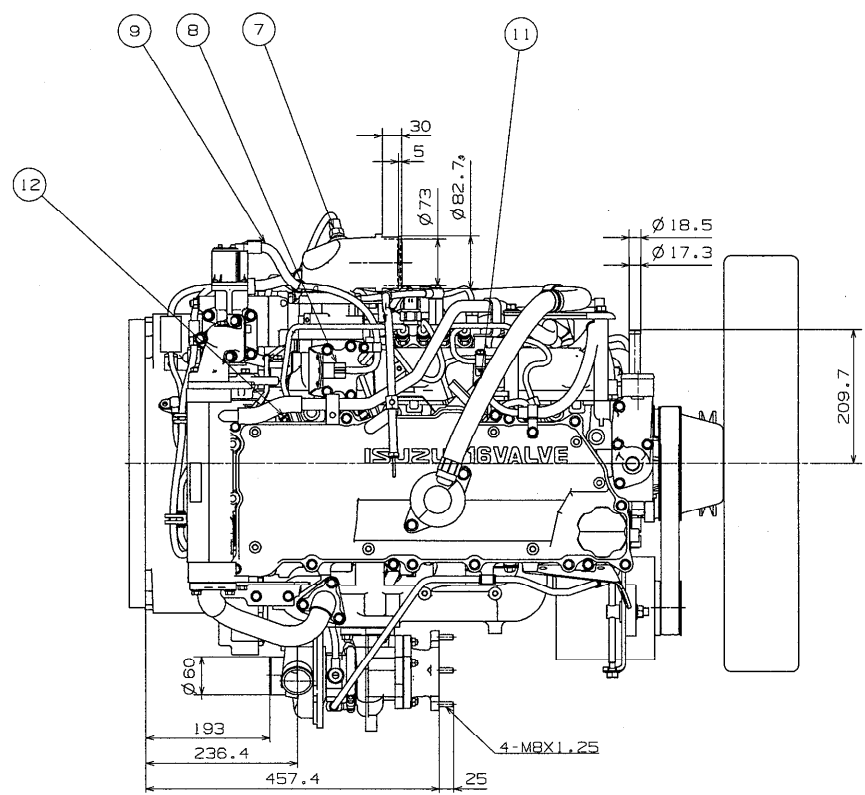


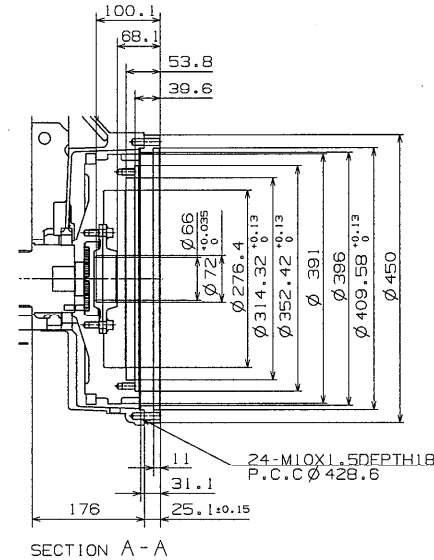
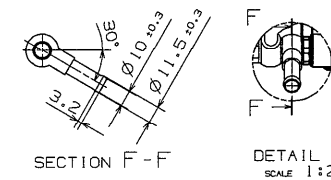
ISUZU 4HK1X DIESEL ENGINE AH-4HK1XYBW-01

General Power (24V)

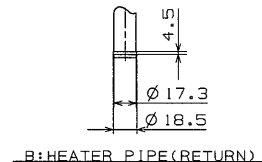
ISUZU MOTORS LIMITED	DATE '06.03.16
OFF-HIGHWAY POWER TRAIN DEPT.	① '07.10.05
DRW.No E4-1033-016-1	②
4H.ASM/OEM.GOMENZU	



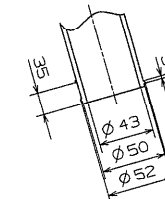
DETAIL OF OIL FILTER FEED/RETURN



SECTION A-A



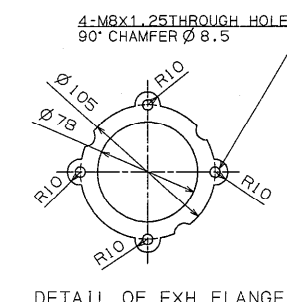
B: HEATER PIPE (RETURN)



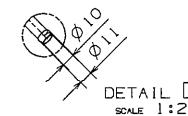
C: PIPE WATER SUCTION

SENSOR LIST: ENGINE SIDE

No.	PART-NAME
①	NE Sensor (CRANK)
②	G Sensor (CAM)
③	COOLANT TEMP. Sensor
④	FUEL TEMP. Sensor
⑤	OIL Press. Sensor
⑥	RAIL Press. Sensor
⑦	BOOST TEMP. Sensor
⑧	BOOST Press. Sensor
⑨	EGR VALVE
⑩	SUPPLY PUMP
⑪	INJECTOR
⑫	GLOW PLUG
⑬	OVER HEAT SW.



DETAIL OF EXH FLANGE



DETAIL D SCALE 1:2

DETAIL OF PIPE: OIL SEPARATOR

ACG, E CONNECTOR M6X1

ACG, B CONNECTOR M6X1

ACG, R-L CONNECTOR MATCHING CONNECTOR: YAZAKI 7323-6224-40

7-Ø650-SUCKER

